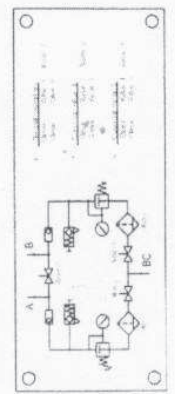
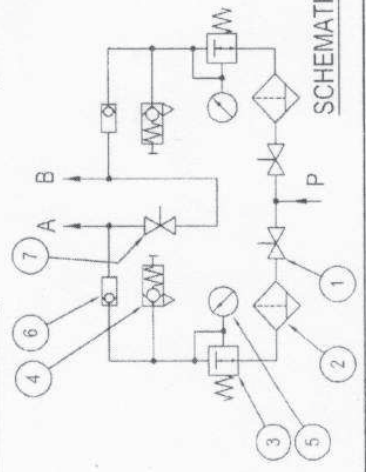
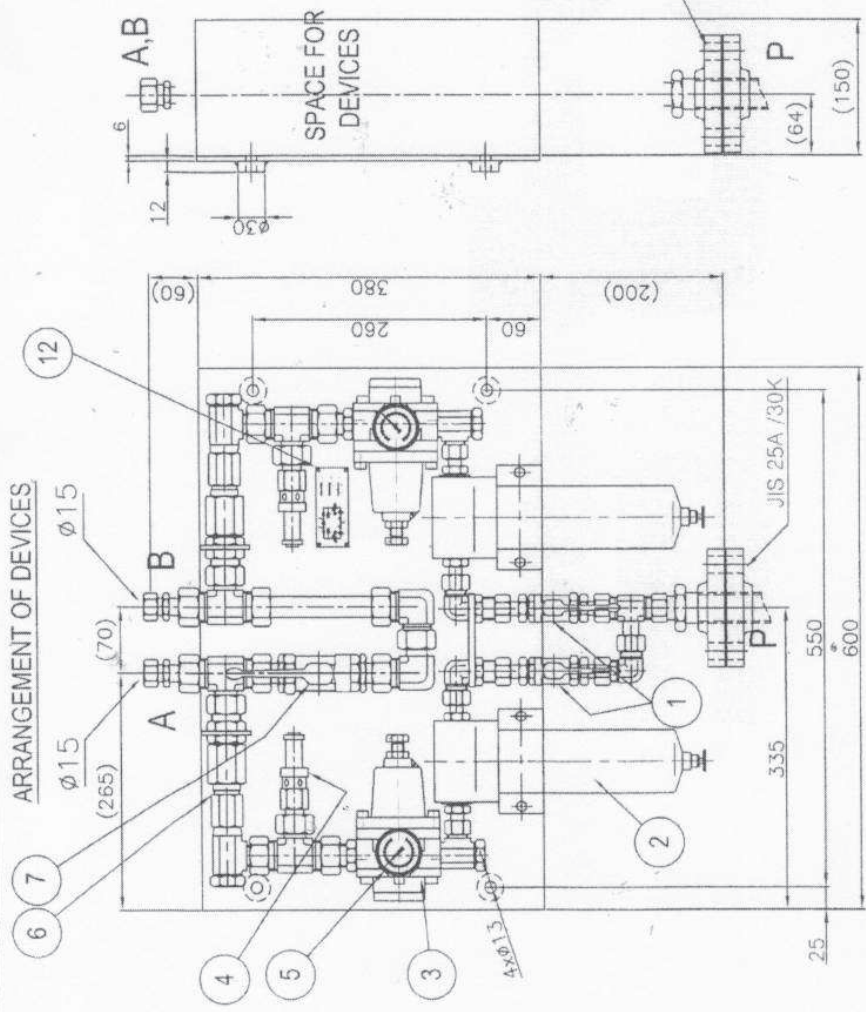


Mark	Date	Description of Revision	Drawn	Chkd	App'd
△	20060316	Chg. 1/1	g.h.cho	k.g.sdm	k.g.sdm
△	20070408	Chg. 2/1	g.h.cho	k.g.sdm	k.g.sdm
△	20080212	Chg. 3/1	g.h.cho	k.g.sdm	k.g.sdm
△	20100222	Chg. 4/1	m.j.park	k.g.sdm	k.g.sdm

**TECHNICAL DATA :**

SUPPLY PRESSURE MAX.	30 bar
OUTLET PRESSURE MIN.	1.0 bar
OUTLET PRESSURE MAX.	10.0 bar
OUTLET PRESSURE ADJUSTED	7 bar
FLOW RATE	
SUPPLY PRESSURE 30bar	4000 NI / min
SUPPLY PRESSURE 15bar	2100 NI / min
SAFETY VALVE	
RESPONSE PRESSURE	8.5 bar
FILTER, POROSITY	40 μm
AMBIENT TEMPERATURE	273K to 353K
ADMISSIBLE MEDIUM	COMPRESSED AIR



**NAME PLATE**

**SCHEMATIC DIAGRAM**

No.	NAME	QTY	REMARKS
12	NAME PLATE	1	
11	NU1	4	
10	BOLT	4	
9	GASKET	1	
8	FLANGE	2	JIS25A / 30K
7	CUT OFF COCK	1	4902 20 27
6	CHECK VALVE	2	SCV-GF12G-B
5	PRESSURE GAUGE	2	Ø 50
4	SAFETY VALVE	2	13862
3	PRESSURE REDUCING V/V	2	HR40P-G20
2	AIR FILTER	2	J2SL
1	CUT OFF COCK	2	0469 13 21

2012.06.11 16:10:27 150.150.100.45

M-CAD-3000-22