

N° :

Date : 6 juin 2018

**SERVO MOTOR 115U3C305CACAA115190**



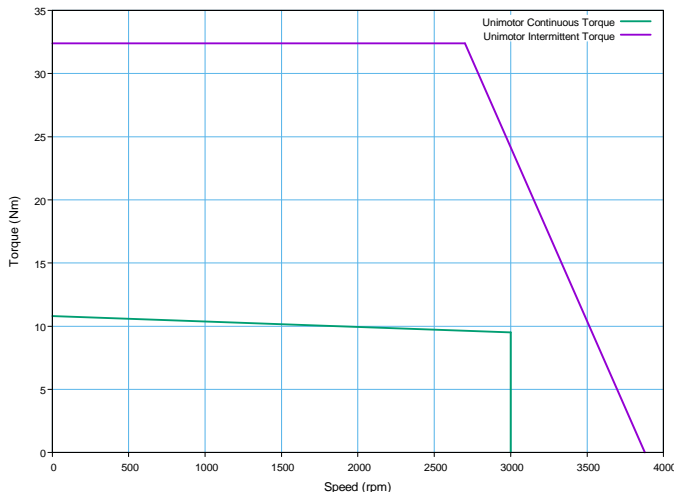
**Definition**

Type	<b>Unimotor FM</b>	
Frame Size (mm)	<b>115</b>	
Voltage	<b>U</b>	U - 400V
Magnet type	<b>3</b>	3 - Standard
Frame Length	<b>C</b>	
Speed (min-1)	<b>30</b>	3000
Brake	<b>5</b>	
Connection type	<b>C</b>	C - Power 90° rotatable and Signal vertical
Output shaft	<b>A</b>	Key
Feedback device code	<b>CA</b>	CA - 4096 ppr Incremental encoder (CFS50)
Inertia & thermistor	<b>A</b>	A - Standard
PCD	<b>115</b>	115 (FF 115 / 95)
Shaft Diameter	<b>190</b>	19j6 x 40,0 .
Fan box	<b>-</b>	
Classe d'isolation	<b>F</b>	
UL Motor / UL Stator	<b>UL Motor / UL Stator</b>	

**Nominal characteristics**

Motor Ambient Temperature (°C)	40	Drive Fsw (kHz)	12	
Motor Stall Torque (N.m)	10,80	Stall Current (A)	6,80	
Rated Torque (N.m)	9,50	Rated Current (A)	5,9	
Motor Peak Torque (N.m)	32,40	I max (A)	20,25	
Rated Power (kW)	2,98	Kt (Nm/A)	1,60	
Winding Thermal Time Constant (s)	116	Ke (V/kmin-1)	98,00	
Number of Poles	6	R (ph-ph) (Ohm)	2,30	
Maximum Cogging (N.m)	0.14	L (ph-ph) (mH)	15,57	
Inertia (kg.cm <sup>2</sup> )	10,44	Weight (kg)	9,90	
Ingress Protection Level (IP)	IP65			
Brake	<b>Braked</b>		Static Torque (N.m)	12,2
Release Time (ms)	60	Backlash (°)	0,56	
Brake Supply Voltage (V)	24	Brake Coil Power (W)	16,0	

**Torque / speed graph**

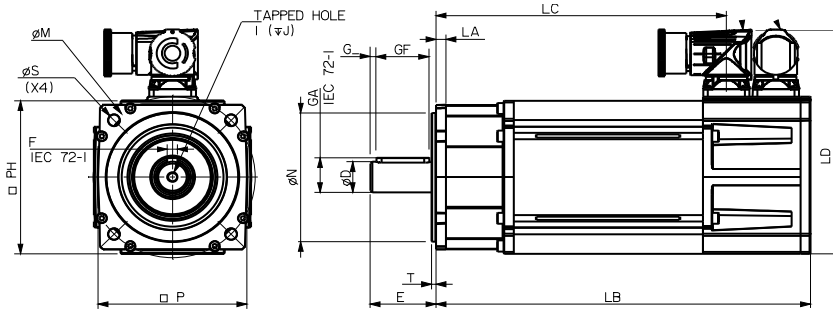


N° :

Date : 6 juin 2018

**SERVO MOTOR 115U3C305CACAA115190 - Unimotor FM 115U3C305CACAA115190**

**Motor (° & mm)**



LB	Total length	336,60
LB1	length with hybrid box	269,80
LC	Power connector position	283,80
LJ	Hybrid box position	269,80
LA	Flange thickness	10,1
T	Register Length	2,8
N	Register Diameter	95,0
LD	Power connector overall height	156,50
LD1	Signal connector overall height	138,80
P	Flange Square	105,0
S	Fixing Hole Diameter	10,0
M	Fixing hole PCD	115
PH	Motor Housing Width	115
D	Shaft Diameter	19j6
E	Shaft Length	40,0
GA	Key Height	21,5
GF	Key Length	32,0
G	Key to Shaft End	3,6
F	Key Width	6
I	Tapped Hole Thread Size	M6x1
J	Tapped Hole Depth	17,0
	Mounting Bolt	M8

**Motor electrical interface**

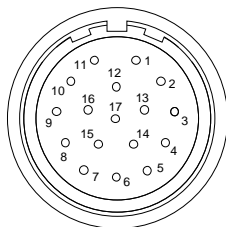
Feedback device code : CA - 4096 ppr Incremental encoder (CFS50)

Connection type :

C - Power 90° rotatable and Signal vertical

Section des fils :

4G1 + 2x 0.5 (A)



- |         |            |
|---------|------------|
| 1 - CTP | 10 - A     |
| 2 - CTP | 11 - Z     |
| 3 - -   | 12 - Z/    |
| 4 - U   | 13 - A/    |
| 5 - U/  | 14 - B     |
| 6 - V   | 15 - B/    |
| 7 - V/  | 16 - Power |
| 8 - W   | 17 - 0V    |
| 9 - W/  | Screen     |

