

General Purpose IEC Fuses

NH Fuses (Plain Blades)

aM Ceramic body with French striker

aM 690V Size 0 to 3



L216187



P219272



Y212104

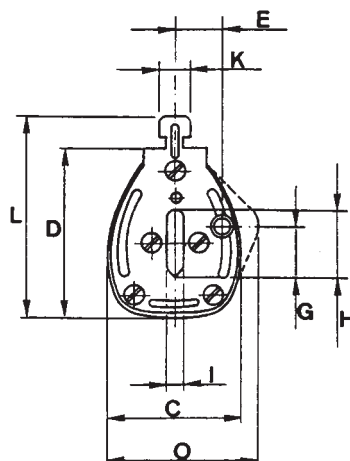
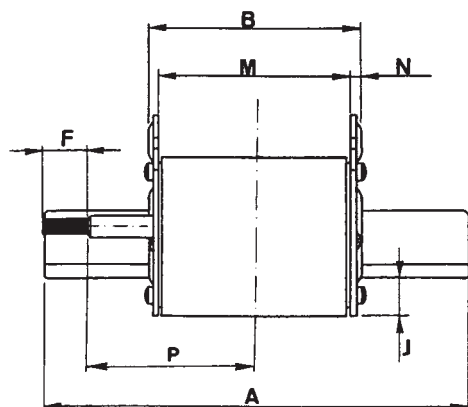


M216188

aM 500 - 690VAC

Size	Rated current I_N (A)	Rated voltage (V)	Previous ref.	Ref.-no.	Breaking capacity	Catalog Number
0	32	690V	37443	Z213140	80kA - 690V	NH0AM69V32P-2
0	40	690V	37447	R213639	80kA - 690V	NH0AM69V40P-2
0	50	690V	37451	V214148	80kA - 690V	NH0AM69V50P-2
0	63	690V	37455	Y214657	80kA - 690V	NH0AM69V63P-2
0	80	690V	37459	C215167	80kA - 690V	NH0AM69V80P-2
0	100	690V	37463	F215676	80kA - 690V	NH0AM69V100P-2
0	125	690V	37465	L216187	80kA - 690V	NH0AM69V125P-2
0	160	690V	37469	J216691	80kA - 690V	NH0AM69V160P-2
0	200	500V	37471	X217209	120kA - 500V	NH0AM50V200P-2
1	80	690V	37559	C217720	80kA - 690V	NH1AM69V80P-2
1	100	690V	37563	M218235	80kA - 690V	NH1AM69V100P-2
1	125	690V	37565	A218753	80kA - 690V	NH1AM69V125P-2
1	160	690V	37569	P219272	80kA - 690V	NH1AM69V160P-2
1	200	690V	37571	B222480	80kA - 690V	NH1AM69V200P-2
1	250	690V	37575	T223002	80kA - 690V	NH1AM69V250P-2
1	315	500V	37579	A200790	120kA - 500V	NH1AM50V315P-2
2	125	690V	37665	S201335	80kA - 690V	NH2AM69V125-2
2	160	690V	37669	B201849	80kA - 690V	NH2AM69V160-2
2	200	690V	37671	Y211069	80kA - 690V	NH2AM69V200-2
2	224	690V	37673	P211590	80kA - 690V	NH2AM69V224P-2
2	250	690V	37675	Y212104	80kA - 690V	NH2AM69V250-2
2	315	690V	37679	N212624	80kA - 690V	NH2AM69V315P-2
2	355	690V	37681	A213141	80kA - 690V	NH2AM69V355-2
2	400	690V	37683	S213640	80kA - 690V	NH2AM69V400-2
2	500	500V	37687	W214149	120kA - 500V	NH2AM50V500-2
3	315	690V	37779	Z214658	80kA - 690V	NH3AM69V315P-2
3	355	690V	37781	D215168	80kA - 690V	NH3AM69V355P-2
3	400	690V	37783	G215677	80kA - 690V	NH3AM69V400P-2
3	500	690V	37787	M216188	80kA - 690V	NH3AM69V500P-2
3	630	500V	37789	K216692	120kA - 500V	NH3AM50V630P-2

Pack. : 3 pieces



Dimensions

	0	1	2	3
A	124.5	134.5	150	150
B	66	67	67	67
C	39	40	56	69
D	49	55	62.5	76
E	14.5	16	19	24
F	15.5	15.5	15.5	15.5
G	14	14.5	14.5	14.5
H	15	20	26	32
I	6	6	6	6
J	14	14	15	16
K	10	10	10	10
L	59	65	72.5	86
M	60	61	61	61
N	3	3	3	3
O	41.5	45	-	-
P	47	52	60	60