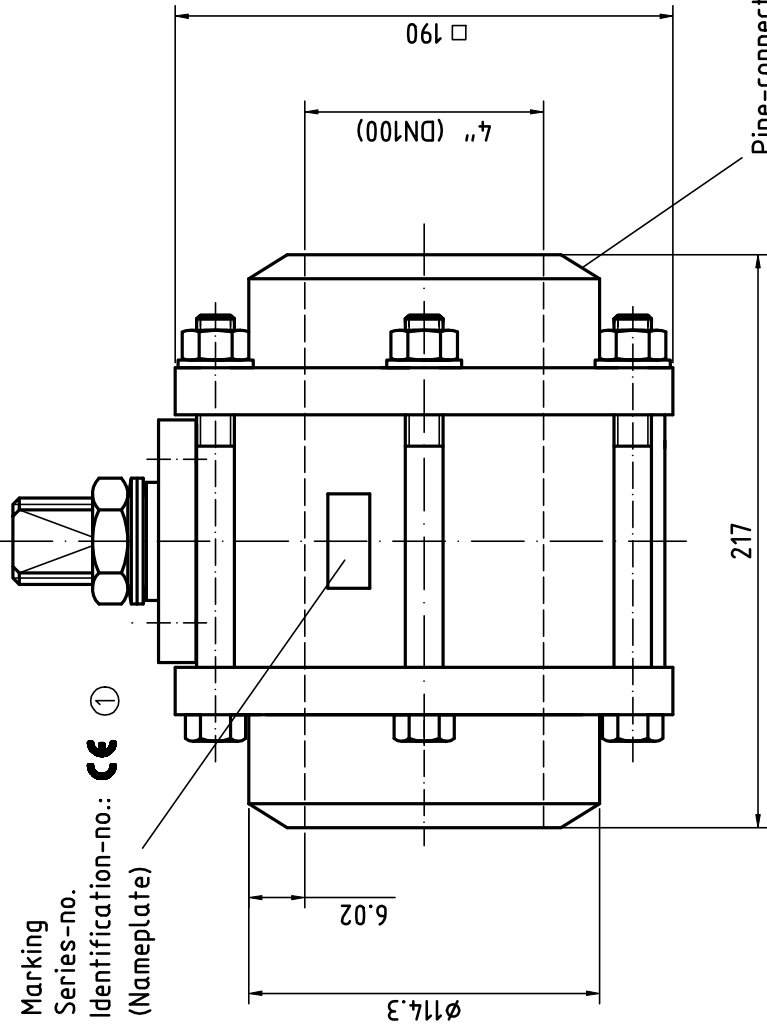
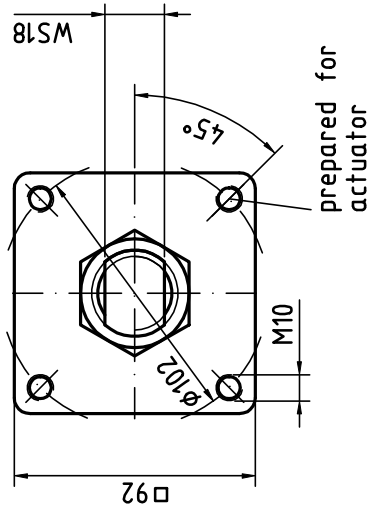


Marking
 Series-no.
 Identification-no.: **CE** ①
 (Nameplate)



Pipe-connection
 4" Schedule STD



prepared for
 actuator

Alstom-drawing-no.	HTCT 620327
	HTCT 438548 ①
	HTCT 624641 ②
	HTCT 435414 ③
Item:	P1 = 030.3792
	Starting torque: 220Nm
Weight:	20kg

		2002	DATE	NAME	MATERIAL
		DRAWN	05.02	Gayk	Page 1/2
SCALE -		CHECKED			
DIMENSIONS IN mm UNLESS OTHERWISE SPECIFIED		NORM			
Ball valve EDS-V 4" (DN100) ANSI150		REVISION			
DRAWING-N°: 9.030.100.007.00.03		DATE			
DOCU-N°: 0303792-03-GB-01-2D		NAME			
EDP-N°: 030.18100020.3792		DATE			
ALL RIGHTS IN THIS DRAWING RESERVED. ALSO IN CASE OF PATENT OR DESIGN REGISTRATION		REVISION			
REPLACEMENT FOR: HTCT 427060		DATE			
REPLACED BY:		NAME			