

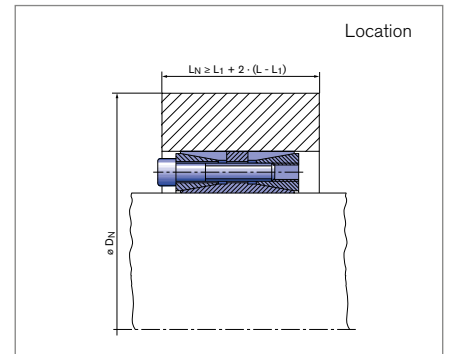
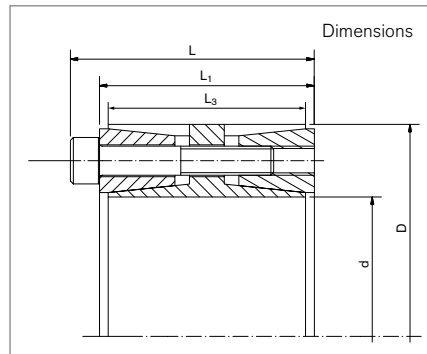
Locking Assemblies

RINGFEDER® RfN 7015.1

Reduced surface pressures



self-centering | without axial displacement | with low surface pressure



Locking Assembly dimensions			Transmissible torques or axial forces		Surface pressure		Locking screws			D _{N min} at R _{p0,2}							
d	x	D	L	L ₁	L ₃	T	F _{ax}	Shaft P _w	Hub P _N	n _{Sc}	D _G	T _A	G _w	200	300	400	T _{max}
mm			mm			Nm	kN	N/mm ²				Nm	kg	[N/mm ²]			Nm
100	x	145	75	65	60	6575	132	91	63	9	M10 x 55	83	4,1	184	171	166	7736
110	x	155	75	65	60	8037	146	92	65	10	M10 x 55	83	4,4	199	184	178	9455
120	x	165	75	65	60	10521	175	101	74	12	M10 x 55	83	4,8	220	201	193	12377
130	x	180	84	74	68	14247	219	101	73	15	M10 x 60	83	6,5	240	219	211	16761
140	x	190	84	74	68	15343	219	94	69	15	M10 x 60	83	7	248	229	221	18050
150	x	200	84	74	68	17534	234	94	70	16	M10 x 60	83	7,4	263	242	233	20629
160	x	210	84	74	68	21041	263	99	75	18	M10 x 60	83	7,8	282	257	247	24754
170	x	225	93	81	75	27352	322	105	80	15	M12 x 65	145	10	309	279	267	32179
180	x	235	93	81	75	30892	343	106	81	16	M12 x 65	145	10,6	325	293	280	36344
190	x	250	106	94	88	36684	386	96	73	18	M12 x 75	145	14,3	355	306	294	43158
200	x	260	106	94	88	42906	429	101	78	20	M12 x 75	145	15	358	323	309	50477
220	x	285	116	104	98	49556	451	89	69	21	M12 x 80	145	19,8	376	345	332	58301
240	x	305	116	104	98	61784	515	93	73	24	M12 x 80	145	21,4	412	375	359	72688
260	x	325	116	104	98	75300	579	97	77	27	M12 x 80	145	23	449	405	387	88588
280	x	355	140	126	120	115034	822	106	84	28	M14 x 100	230	35,2	512	454	431	135334
300	x	375	140	126	120	123250	822	99	80	28	M14 x 100	230	37,4	527	472	450	145001
320	x	405	158	142	135	179962	1125	110	87	28	M16 x 110	355	51,3	593	522	495	211720
340	x	425	158	142	135	191209	1125	103	83	28	M16 x 110	355	54,1	607	540	514	224952
360	x	455	183	165	158	209622	1165	84	67	24	M18 x 140	485	75,4	598	550	529	246615
380	x	475	183	165	158	248927	1310	90	72	27	M18 x 140	485	79	642	584	559	292855
400	x	495	183	165	158	310552	1553	101	82	32	M18 x 140	485	82,8	706	629	598	365355
420	x	515	183	165	158	326079	1553	96	78	32	M18 x 140	485	86,5	721	647	617	383623
440	x	545	200	180	172	372775	1694	91	74	27	M20 x 140	690	110	742	673	644	438558
460	x	565	200	180	172	389719	1694	87	71	27	M20 x 140	690	114	759	691	663	458493
480	x	585	200	180	172	451848	1883	93	76	30	M20 x 140	690	119	807	728	696	531586
500	x	605	200	180	172	470675	1883	89	74	30	M20 x 140	690	123	824	747	715	553735

To continue see next page

Locking Assemblies RINGFEDER® RfN 7015.1

Locking Assembly dimensions						Transmissible torques or axial forces		Surface pressure		Locking screws			D _{N min} at Rp0,2			T _{max}	
d	x	D	L	L ₁	L ₃	T	F _{ax}	Shaft p _w	Hub p _N	n _{Sc}	D _G	T _A	G _w	[N/mm ²]			
mm			mm			Nm	kN	N/mm ²				Nm	kg	mm			Nm
520	x	630	220	200	190	522135	2008	80	66	32	M20 x 150	690	148	827	760	732	614277
540	x	650	220	200	190	542218	2008	77	64	32	M20 x 150	690	154	845	779	751	637903
560	x	670	220	200	190	632587	2259	84	70	36	M20 x 150	690	160	897	818	785	744220
580	x	690	220	200	190	655180	2259	81	68	36	M20 x 150	690	165	914	837	805	770800
600	x	710	220	200	190	677772	2259	78	66	36	M20 x 150	690	170	932	856	824	797379
620	x	730	220	200	190	700364	2259	76	64	36	M20 x 150	690	175	949	875	844	823958
640	x	750	220	200	190	722957	2259	73	63	36	M20 x 150	690	180	967	894	863	850537
660	x	770	220	200	190	745549	2259	71	61	36	M20 x 150	690	194	985	914	882	877117
680	x	790	220	200	190	768142	2259	69	59	36	M20 x 150	690	199	1003	933	902	903696
700	x	810	220	200	190	790734	2259	67	58	36	M20 x 150	690	205	1021	952	922	930275
720	x	830	220	200	190	813326	2259	65	57	36	M20 x 150	690	210	1039	971	941	956855
740	x	850	220	200	190	835919	2259	64	55	36	M20 x 150	690	216	1058	991	961	983434
760	x	870	220	200	190	858511	2259	62	54	36	M20 x 150	690	221	1076	1010	980	1010013
780	x	890	220	200	190	881104	2259	60	53	36	M20 x 150	690	227	1095	1029	1000	1036593
800	x	910	220	200	190	903696	2259	59	52	36	M20 x 150	690	232	1114	1049	1020	1063172

More sizes on request

Explanation

d = Inner diameter	F_{ax} = Transmissible axial force	T_A = Tightening torque of the clamping screws
D = Outer diameter	p_w = Surface pressure on shaft at given T _A	G_w = Weight
L = Overall length	p_N = Surface pressure on hub at given T _A	D_{N min} = Min. hub outer diam. depending of the given hub yield point Rp0,2
L₁ = Overall length (without screws)	n_{Sc} = Quantity of screws	T_{max} = Max. transmissible torque
L₃ = Width of ring	D_G = Thread	
T = Transmissible torque at given T _A		

Ordering example

Locking assembly	d	D
RfN 7015.1	150	200

Technical Information

- The values for T, F_{ax}, p_w and p_N apply to Locking Assemblies installed in oiled condition.
- Surface finishes: Shaft and hub bores R_a ≤ 3,2 μm
- Tolerances: Shaft: h8 · Hub: H8
- Max. two Locking Assemblies can be used in series, the transmissible torques and axial forces are added.
- A reduction of the contact pressures and the transmission values by reducing the tightening torque of the screws is possible. Please contact our specialists for assistance.