

TECHNICAL DATASHEET

Asynchronous Motor 4A3 132S2-2

Customer:	
Ref:	
Order:	
Motor:	
Serial nr:	
Date:	2024-05-22

Nameplate Data:

Code: 121083

Type: 4A3 132S2-2					
kW	Hz	V	A	Rpm	Cos
7,5	50	400D	13,6	2940	0,88
7,5	50	690Y	7,9	2940	0,88
9	60	460D	14,3	3528	0,88
Eff.(100%) 50Hz	Duty	IE-class	Amb.temp.	IP rating	Iso.class
90,3	S1	IE3	-20° - +40°C	IP55	F/B
Nominal data S1-duty, Amb.temp 40°C:					
Voltage - V:	400	Mounting form:	B5		
Frequency - Hz:	50	Bearing DE:	6308 2Z C3		
Power - kW:	7,5	Bearing NDE:	6308 2Z C3		
Full load speed - rpm:	2940	Weight - kg:	51		
Full load current - A:	13,6	Heater:	No		
Full load power factor - Cos:	0,88	Th.Protection:	PTC mounted		
Locked rotor current - A:	108	Kgm ² :	0,01643		
Locked rotor factor - A _{st} /A _n :	7,9	Sound press.-db(A):	-		
Efficiency 100% load - %:	90,3	Cooling:	IC411		
Efficiency 75% load - %:	90,9	Over load/speed test:			
Efficiency 50% load - %:	89,6	H-pot test voltage:	2000		
Full load torque - Nm:	24,4	Temp rise in stator:	-		
Locked rotor torque - Nm:	48,7	Over load 160% - 15 sec			
Locked rotor torque - Nm _{st} /Nm _n :	2,0	kW:	12		
Max. Pull out torque - Nm:	56,0	Hz:	50		
Max. Pull out torque. - Nm _{st} /Nm _n :	2,3	V:	400		
Other:		A:	22,0		
		Rpm:	2891		
		Over speed 125% - 2 min			
		kW:	7,5		
		Hz:	63		
		V:	400		
		A:	13,2		
		Rpm:	3675		

The motor is produced in accordance with following harmonized standards:

IEC60034-1, IEC60034-2, IEC60034-5, IEC60034-6, IEC60034-7, IEC60034-8, IEC60034-9

IEC60034-12, IEC60034-14, IEC60034-30-2, IEC60072.

Additional specifications in accordance with:

RINA - GL - LRS - BV - DNV - ABS - KR - RR - CCS - CCC - RMRS.

TECHNICAL DATASHEET

**Asynchronous Motor
4A3 132S2-2**

Customer:	
Ref:	
Order:	
Motor:	
Serial nr:	
Date:	2024-05-22

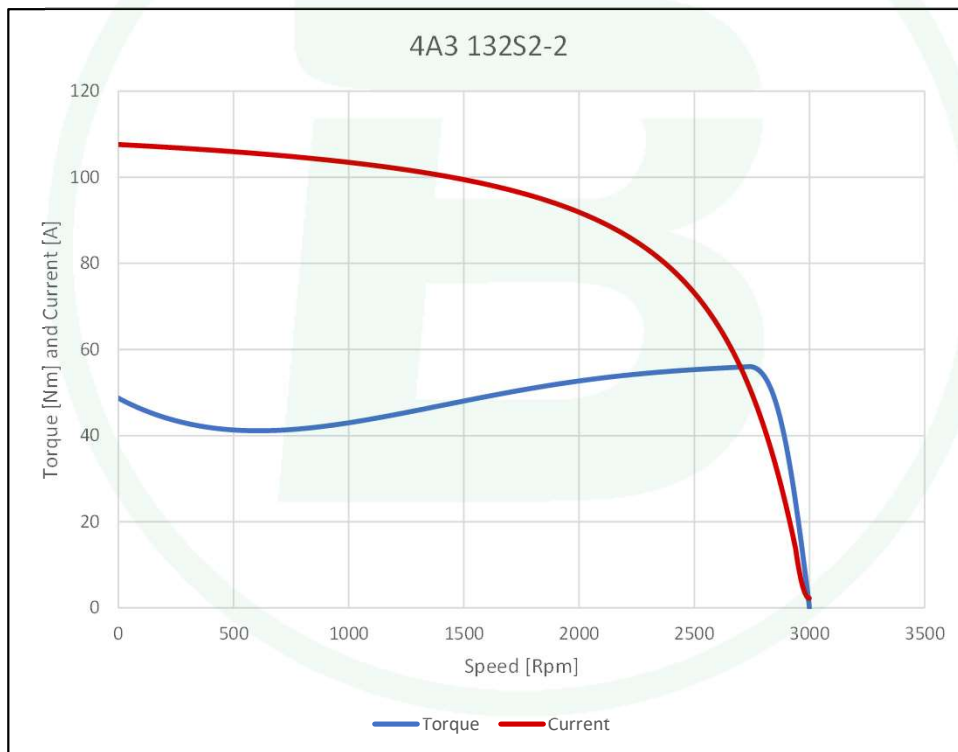
Motor data

Rated output [kW]	7,5	Full load torque [Nm]	24,4
Rated speed [r/min]	2940	Tstart / Tn	2
Rated current [A]	13,6	Tmax / Tn	2,3
Istart / In	7,9	Moment of inertia [kgm ²]	0,01643

Test conditions

Voltage [V] at 100%	400	Frequenzy [Hz] at 100%	50
---------------------	-----	------------------------	----

Starting curves



Please note that the graphs shown above are the result of a computer simulation. They are not and do not provide any sort of guarantee or certainty regarding the performance of any individual motor in a real life scenario.



TECHNICAL DATASHEET

**Asynchronous Motor
4A3 132S2-2**

Customer:	
Ref:	
Order:	
Motor:	
Serial nr:	
Date:	2024-05-22

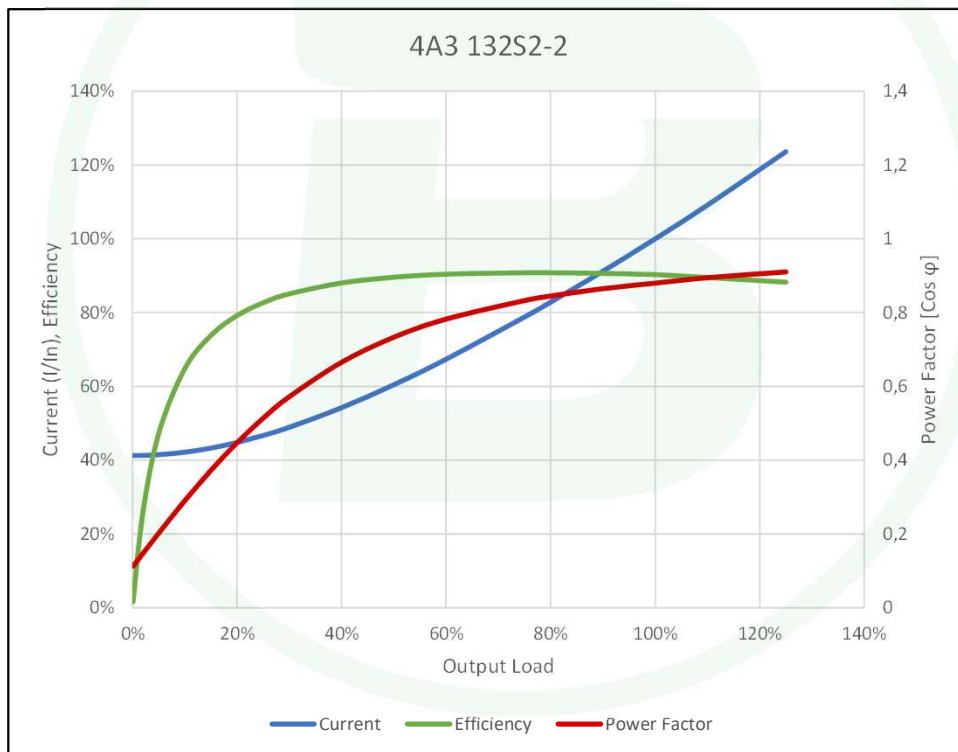
Motor data

Rated output [kW]	7,5	Power factor at P _n [Cos φ]	0,88
Rated speed [r/min]	2940	Efficiency at P _n	90,3
Rated current [A]	13,6		
I _{start} / I _n	7,9		

Test conditions

Voltage [V] at 100%	400	Frequenzy [Hz] at 100%	50
---------------------	-----	------------------------	----

Load curves



Please note that the graphs shown above are the result of a computer simulation. They are not and do not provide any sort of guarantee or certainty regarding the performance of any individual motor in a real life scenario.

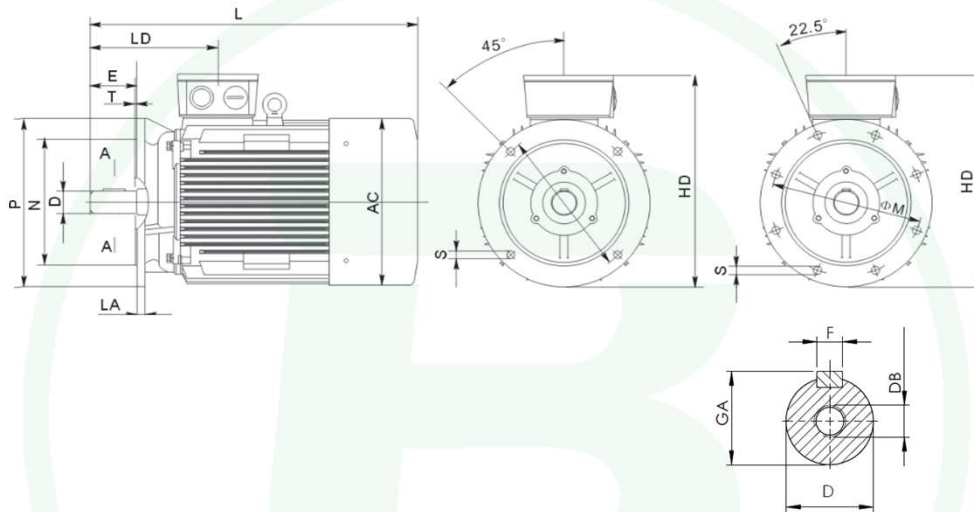


TECHNICAL DATASHEET

**Asynchronous Motor
4A3 132S2-2**

Customer:	
Ref:	
Order:	
Motor:	
Serial nr:	
Date:	2024-05-22

Flange mounted motor 4A3 132S2-2 B5



Unit: mm

M:	265	HD:	349	E:	80
N:	230	L:	500	D:	38
P:	300	LD:	179	GA:	41
S:	15			DB:	M12x28
				F:	10