

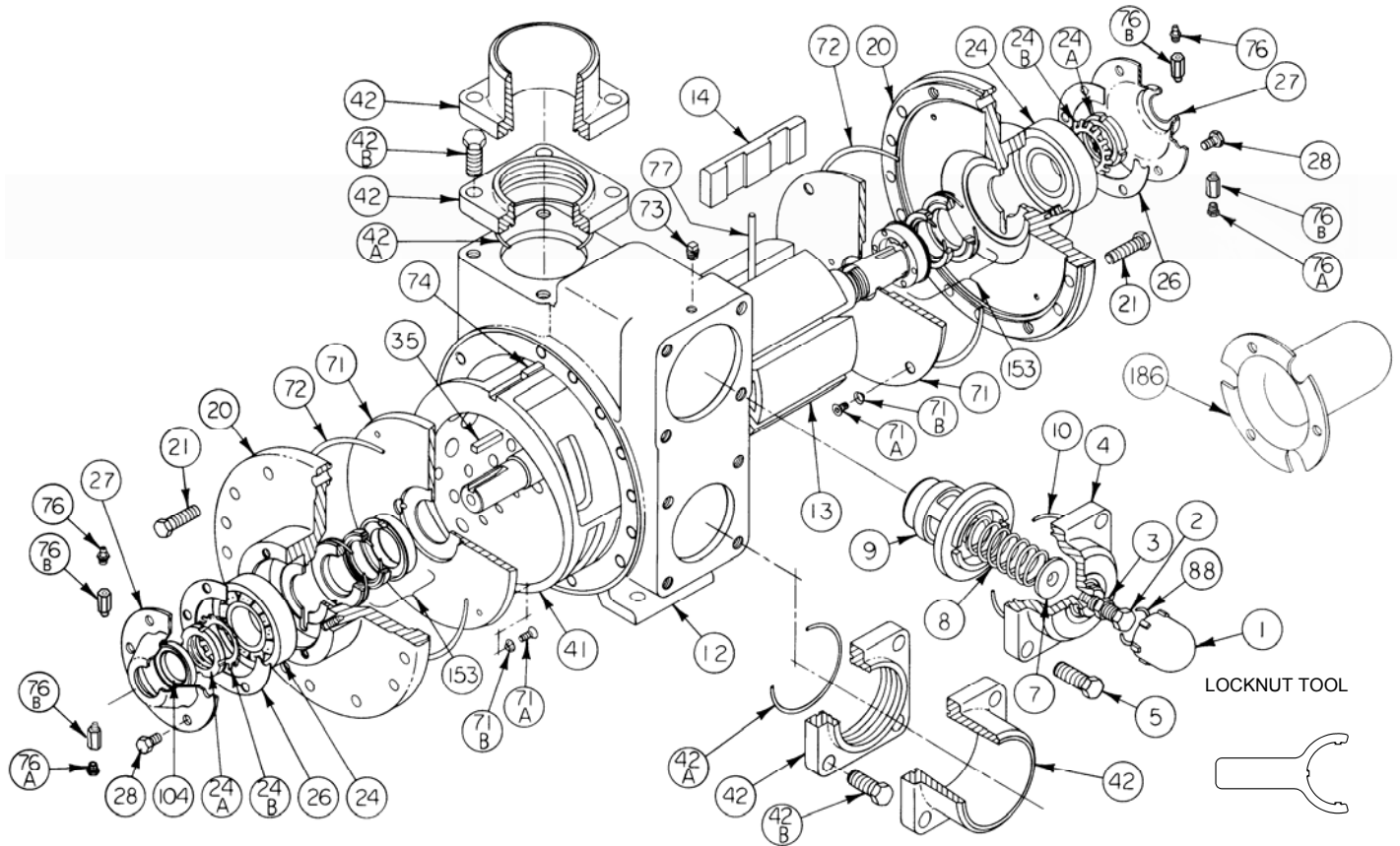
BLACKMER PARTS LIST

PUMP MODEL: CRL4B

962010 **PARTS LIST**
Page 1 of 2 **701-C01**

Section 701
Effective Jan 2010
Replaces Sept 2009

Keep with Instructions 701-C00 for Installation, Operation and Maintenance



Ref. No.	Description	Parts per Pump	Part No.	Ref. No.	Description	Parts per Pump	Part No.
1	Cap - R/V	1	413957	41	Liner - Casing	1	² 182000
2	Screw - R/V Adjusting	1	436310	42	Flange - 3" NPT	1-2	652012
3	Locknut - Adjusting Screw	1	432039		Flange - 3" Weld		652007
4	Cover - R/V	1	412001		Flange - 4" Weld		652005
5	Capscrew - R/V Cover	4	920663	42A	O-Ring - Flange	2	¹ 701937
7	Guide - R/V Spring	1	426355	42B	Capscrew - NPT Flange	8	920663
8	Spring - Valve	1	472039		Capscrew - Weld Flange		920640
9	Valve - R/V	1	452001	71	Disc	2	² 062039
10	O-Ring - R/V Cover	1	¹ 701946	71A	Screw - Disc Machine	8	² 920015
12	Casing - Pump	1	012019	71B	Lockwasher - Disc	8	² 909622
13	Rotor & Shaft Asy. w/Locknut & Lockwasher (Ref. No. 24A & 24B)	1	² 262041	72	O-Ring - Head (Buna-N)	2	¹ 702039
14	Vane - Laminate	6	¹ 092026	73	Plug - Gage	2	908198
20	Head	2	032041	74	Key - Liner	1	² 182040
21	Capscrews - Head	28	920532	76	Fitting - Grease	2	317815
24	Ball Bearing	2	¹ 903172	76A	Fitting - Grease Relief	2	701992
24A	Locknut - Bearing	2	² 903541	77	Push Rod - Composite	3	¹ 122009
24B	Lockwasher - Bearing	2	¹ 903542	88	O-Ring - R/V Cap	1	¹ 701926
26	Gasket - Bearing Cover	2	¹ 385125	104	Seal - Grease	2	¹ 331908
27	Cover - Inboard Bearing	2	041815	186	Protector - Shaft End	1	341801
28	Capscrews - Bearing Cover	12	920285		Tool - Locknut		903092
35	Key - Shaft	1	¹ 909183		Kit - Maintenance		898907
					Kit - Rebuild		899007

¹ Included in Maintenance and Rebuild Kits

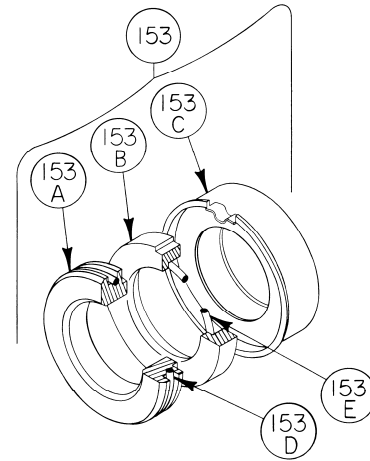
² Included in Rebuild Kits

MECHANICAL SEAL

Ref. No.	Part Name	Parts Per Pump	Part No.
153	Mechanical Seal Assembly (CELE)	2	¹ 332059
153A	Seat – Stationary (Carbon)	2	*
153B	Face – Seal (Silicon Carbide)	2	*
153C	Jacket Assembly – Seal	2	*
153D	O-Ring – Stationary (Special-EPDM)	2	702356
153E	O-Ring – Rotating (Special-EPDM)	2	702353

¹ Included in Maintenance and Rebuild Kits

* Mechanical Seal Ref. No. 153 is only sold as a complete assembly.
Ref Nos. 153A, 153B & 153C are not available as separate replacement parts.



HYDRAULIC MOTOR ADAPTER PARTS

REF. NO.	PART NAME	PARTS PER PUMP	PART NO.
See Below	Hydraulic Motor Adapter Kit *	See Below	892037
26A	Gasket – Hydraulic Motor Adapter	1	381817
28A	Capscrew – Hydraulic Motor Adapter / Head	6	920369
34	Coupling w/ Setscrew – for 1.25" straight key hyd. motor shaft	1	906970
35	Key – Coupling	1	909184
76	Grease Fitting	1	317815
76A	Grease Relief Fitting	1	701992
135	Hydraulic Motor Adapter – SAE A Flange	1	041829
135A	Capscrew – Adapter / Motor	2	920510

