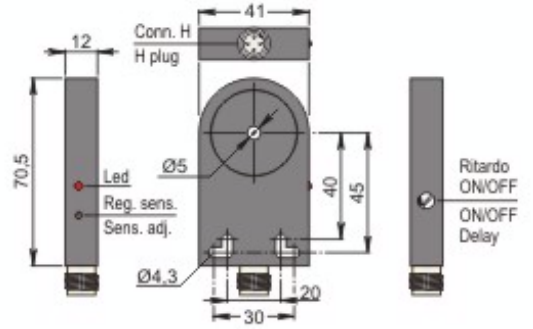




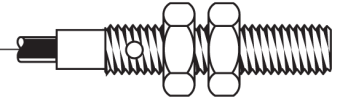
Part number: SIA000115 - Model: SIA05-CE NPN NO+NC H R



Dimension in mm

TECHNICAL CHARACTERISTICS

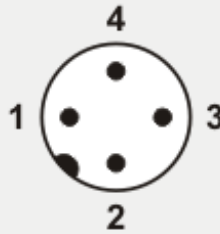
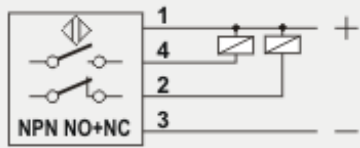
| | |
|---------------------------------|-----------------------------------|
| Power supply: | Direct current |
| Working voltage: | 10 ÷ 30 Vdc |
| Sensing hole diameter (mm): | 5 |
| Minimum detectable object (mm): | Ø 0.7 x 1 |
| Output logic: | NPN |
| Function: | NO+NC |
| Hysteresis (%Sn): | Depends on the sensitivity |
| Max switching frequency: | See instructions for installation |
| Delay ON de-energization: | 100 mSec (when inserted) |
| Repeatability (%Sn): | < = 0.3 |
| Max output current: | 200 mA |
| Absorption: | < 15 mA @ 24Vdc |
| Voltage drop: | < 1.8 V |
| Short circuit protection: | Present |
| Led indicator: | Present |
| Temperature limits: | -20 ÷ +60 °C |
| IP rating: | Depending on connector |
| Housing material: | Plastic |
| Mechanical characteristics: | SIA05 41x70.5x12 |
| Connection type: | H plug |
| Weight: | 50 g |



Part number: SIA000115 - Model: SIA05-CE NPN NO+NC H R

WIRING DIAGRAM

CONNECTION WITH H PLUG

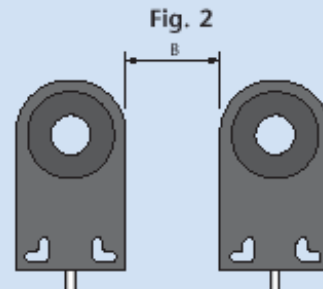
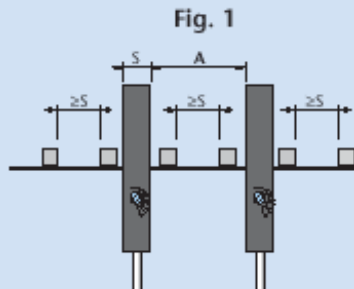


VIEW OF MALE CONNECTOR

- 1 = Brown / +
- 3 = Blue / -
- 4 = Black / output NO
- 2 = White / output NC

INSTRUCTIONS FOR CORRECT INSTALLATION

INSTRUCTIONS FOR CORRECT INSTALLATION



| Model | SIA05 | SIA12 | SIA15 | SIA22 | SIA30 | SIA44 | SIA63 | SIA100 |
|---------------|-------|-------|-------|-------|-------|-------|-------|--------|
| A (Fig. 1) mm | 25 | 30 | 30 | 60 | 60 | 300 | 300 | 600 |
| B (Fig. 2) mm | 10 | 10 | 10 | 20 | 20 | 250 | 250 | 650 |

MIN. DIMENSIONS OF THE OBJECT TO DETECT (Fe37)

| Model | SIA05 | |
|----------|-------|-----|
| Lenght | mm | 1 |
| Diameter | mm | 0.7 |

SWITCHING FREQUENCY

The switching frequency of inductive ring sensors depends on delayed impulse time (**when inserted**) according to the formula :

$$\text{Switching frequency (Hz)} = \frac{1}{(T \text{ impulse} + 10) \text{ mS}}$$

Vice versa, the switching frequency will be between 600+1500 Hz.