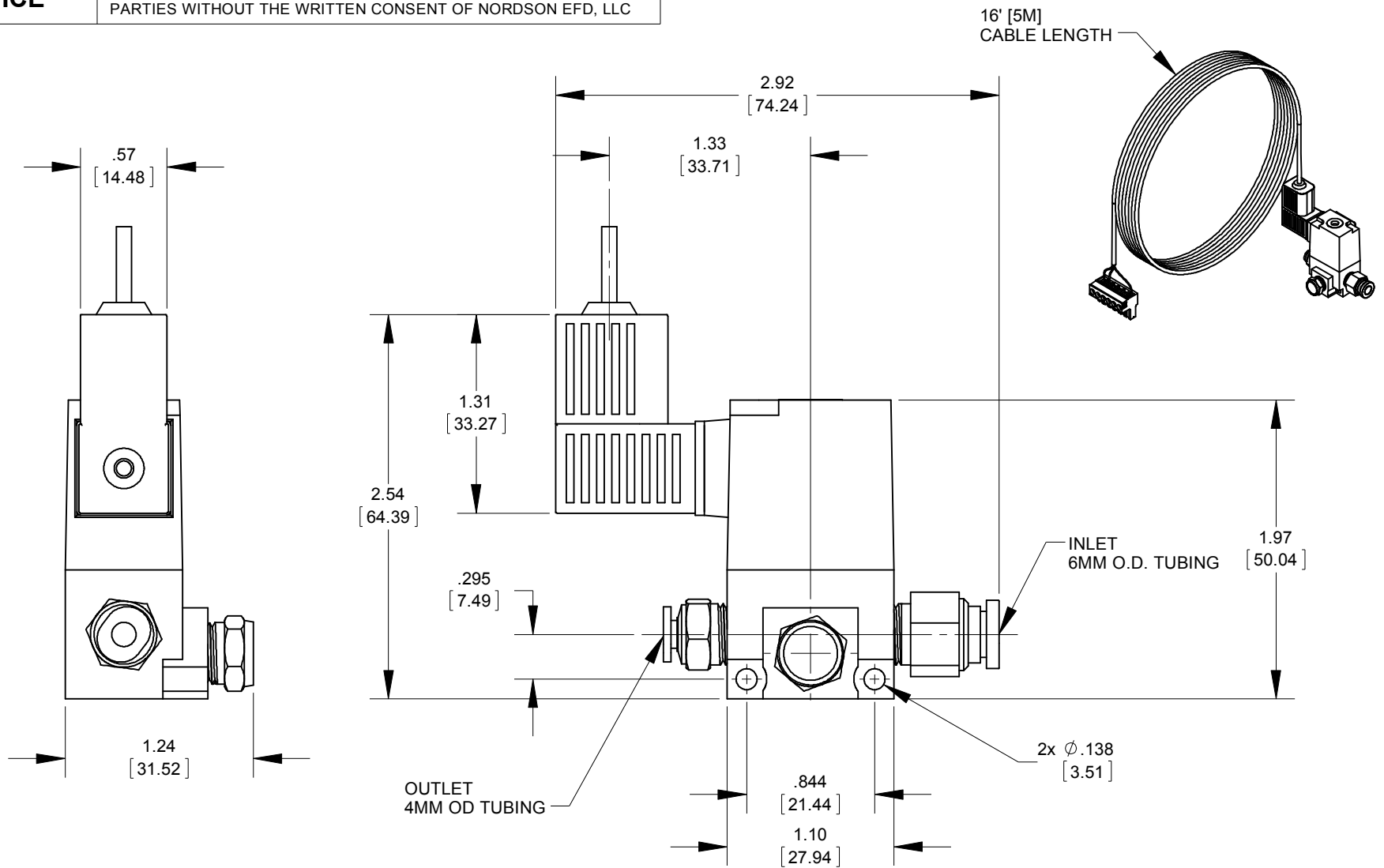


**PROPRIETARY
NOTICE**

THIS DRAWING IS NORDSON EFD PROPERTY, CONTAINS PROPRIETARY INFORMATION AND MUST BE RETURNED UPON REQUEST. DO NOT CIRCULATE, REPRODUCE OR DIVULGE TO OTHER PARTIES WITHOUT THE WRITTEN CONSENT OF NORDSON EFD, LLC

REV.	DESCRIPTION	BY	DATE
------	-------------	----	------



NOTES:
1. DIMENSIONS ARE IN INCHES [mm].



40 Catamore Boulevard
East Providence
Rhode Island, USA 02914
Toll Free: 1-800-556-3484

TITLE

7022246
SOLENOID VALVE KIT, SINGLE

REV. CODE

01-6/25/2014

AUTH. BY: