


PUSHBUTTON SWITCHES

PRODUCT NUMBER 1661.0101



TECHNICAL DATA

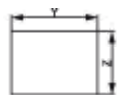
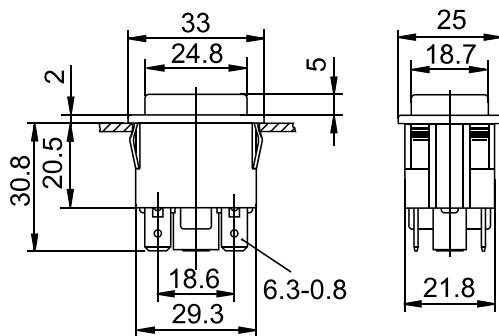
Product number	1661.0101
Actuator color / printing	
Product family	Pushbutton switches
Actuation type	direct
Weight	16.052 g
ROHS conform	yes
Distributor	REPRO
Switching function	Normally open contact (DPNO)
Material fixed contact	Ag
Number of poles	2 - pole
connections	Quick-connect terminal, 6.3 x 0.8
Mechanical life endurance	5E4
Rating IEC	16 (4) A 250 V AC 1E4
Contact resistance (new condition)	< 100 (1 A 12 V DC) mOhm
Insulation resistance (new condition)	> 100 (500 V DC) MOhm
Voltage strength at 250 V	→ function insulation / basic insulation 1 500 V → reinforced insulation 3 000 V → small contact distance 500 V
Proof tracking	250 PTI
Insulation spacing	acc. to EN 61058 for reinforced or double insulation
Protection type	→ Connection IP 40 → Actuator IP 40
Ambient temperature	-20 °C ... +85 °C
Ambient temperature	-20 °C ... +55 °C
Storage temperature	-40 °C ... +80 °C
Flammability	UL 94 V-2
Glow wire test temperature	850 °C
Actuators and additional actuators	actuator: PA, black
Housing description	housing: PA, black base plate: PA glass fiber-reinforced, black

Connection surface	→ bearing connection → external connection	Cu Cu
Contact material	Ag	
Contact distance	≥ 3 mm	
Contact type	jump contact	
Plug force of the terminals	≤ 80 N	
Operating force	approx. 8 N	
Approval marks	ENEC 05	
Suitable for appliances of protection class	II	
Additional labeling	year/week of manuf. acc. to DIN EN 60062	
Additional labeling packing	23048	
Type of fastening	Snap fastening	
Degree of pollution	3	
Stock version	●	

PRODUCT IMAGE



DRAWINGS



	X	Y	Z
0.75 ... 1.0	30 +0.1	22.2 +0.2	22.2 +0.2
1.0 ... 1.5	30.2 +0.1	22.2 +0.2	22.2 +0.2
1.5 ... 3.0	30.4 +0.1	22.2 +0.2	22.2 +0.2

X = wall thickness

Technical changes reserved. Dimensions are not binding.

Detailed specifications available on request.