

## L/S® High-Performance Pump Heads

### The highest flow rate and the highest pressure generation of any L/S pump head

- Offers better suction lift, viscous fluid transfer, and long tubing life—at pressures up to 150 psi
- Mount pump head upright or on its side—design allows tubing to enter/exit the same side of the pump head
- Rollers, bearings, rotor plates, and rotor shaft are made of stainless steel (SS); occlusion bed is made from polyphenylene sulfide (PPS)—SS and PPS have excellent chemical resistance
- Compatible with all L/S drives listed in this catalog that accept two or more pump heads (High-Performance heads are not stackable)
- Accepts all four high-performance precision pump tubing sizes: L/S 15, L/S 24, L/S 35, and our high-pressure pump tubing: L/S 14HP, L/S 15HP, L/S 16HP and L/S 24HP
- ATEX Zone 2 approved model 77250-82; rated to EEx II 3 G c II C T6

**What's included:** mounting hardware and a 15" (38-cm) length of L/S 35 pump tubing (see pages 1211–1217 for additional L/S pump tubing).

### Highest L/S® Pump Head Flow Rate!



Tubing enters/exits the same side of High-Performance pump head 77250-62 for easy connection to tubing inlet and outlet.

### Specifications & Ordering Information

**Dimensions:** 3<sup>3</sup>/<sub>4</sub>" W x 3<sup>1</sup>/<sub>2</sub>" H x 3<sup>7</sup>/<sub>8</sub>" D (9.5 cm W x 8.9 cm H x 9.8 cm D)

ISO 9001:2000  
SUPPLIER CERTIFIED

ATEX  
Zone 2  
77250-82

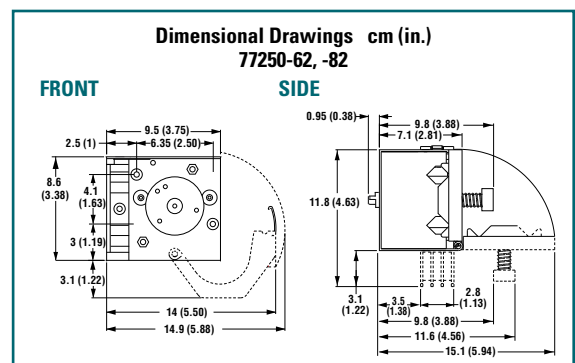
2 year  
warranty

Pump tubing size	mL per rev	Flow rates in mL/min		Maximum system pressure	Catalog number			
		0.02 to 100 rpm	6 to 600 rpm		High-Performance pump head	ATEX-approved High-Performance pump head		
L/S 14HP†	0.3	0.006 to 30	Not recommended	150 psi (10.2 bar)	SN-77250-62	SN-77250-82		
L/S 16HP†	0.9	0.018 to 90	Not recommended	125 psi (8.5 bar)				
L/S 15HP†	1.7	0.033 to 170	Not recommended	100 psi (6.8 bar)				
L/S 24HP†	2.4	0.048 to 240	Not recommended	80 psi (5.5 bar)				
L/S 15	1.8	0.036 to 180	11 to 1100	40 psi (2.7 bar)				
L/S 24	3.0	0.060 to 300	18 to 1800	40 psi (2.7 bar)				
L/S 35	4.3	0.086 to 430	26 to 2600	35 psi (2.4 bar)				
L/S 36	5.8	0.116 to 580	34 to 3400	20 psi (1.4 bar)				
<b>Price</b>								

†L/S 14HP, L/S 15HP, L/S 16HP and L/S 24HP pump tubing is for use only with the L/S High-Performance pump head mounted on any L/S 1 to 100 rpm drive capable of running two or more pump heads. **Note:** High-Performance pump heads are not stackable.

### L/S High-Pressure Pump Tubing Ordering Information

Masterflex tubing size	Catalog number	Tubing ID	Flow range (1 to 100 rpm)	Max pressure (continuous)	Length/pk	Price/pk
<b>PharMed® BPT</b>						
<b>NEW</b> L/S 14HP	SN-95664-14	1/16"	0.3 to 30 mL/min	150 psig (10.2 bar)	25 ft (7.6 m)	
L/S 16HP	SN-95664-16	1/8"	0.9 to 90 mL/min	125 psig (8.5 bar)	25 ft (7.6 m)	
L/S 15HP	SN-95664-15	3/16"	1.7 to 170 mL/min	100 psig (6.8 bar)	25 ft (7.6 m)	
L/S 24HP	SN-95664-24	1/4"	2.4 to 240 mL/min	80 psig (5.5 bar)	25 ft (7.6 m)	
<b>Norprene®</b>						
L/S 16HP	SN-06504-16	1/8"	0.9 to 90 mL/min	125 psig (8.5 bar)	25 ft (7.6 m)	
L/S 15HP	SN-06504-15	3/16"	1.7 to 170 mL/min	100 psig (6.8 bar)	25 ft (7.6 m)	

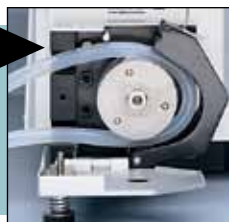


### Loading the High-Performance Pump Head

Rotate tubing retainer knob counterclockwise to release retainer, then lift latch to open.



Insert tubing into occlusion bed so that the tubing ends extend out of the tubing entrance as shown.



Snap the latch closed. Pull the tubing snug around the rotor, close the cover, and rotate the tubing retainer knob clockwise to secure tubing.



Mounted upright