

# DD 1010ic

## Stainless steel Weighing Indicator Touch Screen Diade Series



*The DD 1010ic Indicator  
Integration and Efficiency at a TOUCH*



# Diade DD 1010ic weighing indicator

In mathematics, Dyad (Diade) is the combination of two elements to achieve excellence.

**DD1010ic** is supplied with the weighing metrological software and combines all the characteristics and performance of a weighing system, integrating with management and process systems of the client.

The indicator **DD1010ic** is the result of the know-how and design of Coop Bilanciai.

It can be equipped with **software** intended for several applications, some examples are:

- vehicle weighing with integrated access control devices
- weighing with integration of automatic recognition devices
- process control weighing operations

It is equipped with a 5.7" TOUCH SCREEN colour display, utilising LED TFT technology.

The ability to have INTUITIVE ICONS makes the indicator easy to use allowing multiple functions to be immediately available at your fingertips, without the support of operating instructions.

## MAIN FEATURES

### RELIABILITY AND VERSATILITY

Intended for industrial applications, the **DD 1010ic** is available in AISI304 stainless steel with an IP65 front panel.

For aggressive environments a range of stainless steel versions with an IP68/IP69K protection rating are available. The possibility to customize the main screen keys as needed by dividing the most frequently used icons into groups makes it extremely user-friendly.



Alphanumeric keyboard

### CONNECTIVITY

It is one of the advantages of this product:

- it is provided with a standard Ethernet and optional Wifi connection,
- 2 additional serial communication ports,
- 2 slots for optional cards,
- 2 USB ports and a slot for the "SDcard", which make the **DD1010ic** an innovative instrument, **interacting** with the **latest IT devices** present on the market.

The remote maintenance for software updating or VNC remote control are user-friendly and practical.



Data transfer

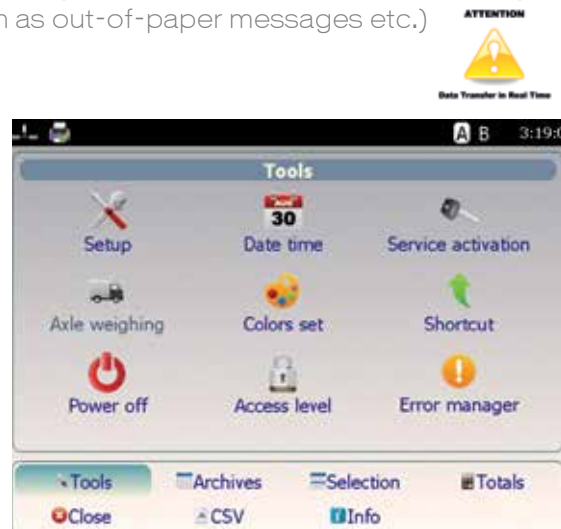
### DATA MANAGEMENT

The use of an SQL relational database with remote connection services and archive flexible structure allows targeted management of data, which can be easily exported (CSV file format) to the company databases, through network, SD card or USB memory stick.

A PC based software package can be used for the remote management of the databases.

The current weight ticket and statistic results can be archived in a PDF format.

Automatic data transmission by e-mail. (e.g. weight ticket PDF, malfunction warning messages such as out-of-paper messages etc.)



Navigation menu

# Diade DD 1010ic weighing indicator

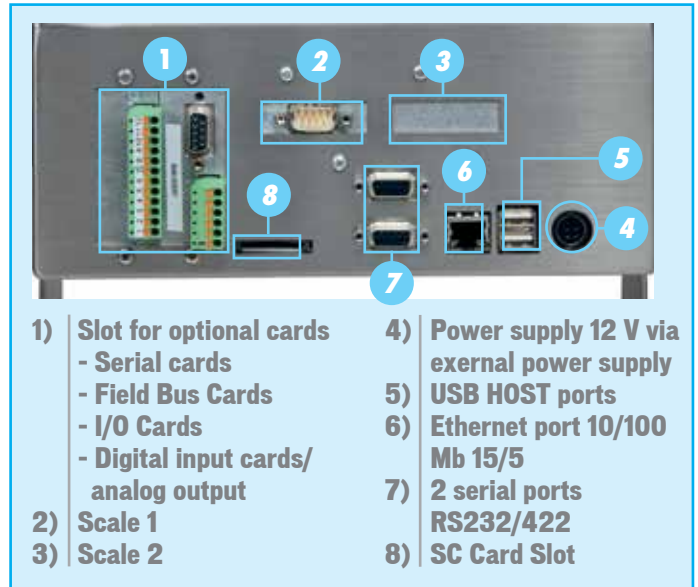
## TECHNICAL CHARACTERISTICS

- Processor 624 MHz
- 128 MByte RAM
- 128 MByte Flash Memory on board
- 5.7" TOUCH SCREEN colour display, utilising TFT technology with LED backlight
- Ethernet Port 10/100 MBps
- 1 expansion for SD card
- 2 USB Host ports
- 2 RS232/RS422 serial outputs for connection to printers, repeaters, barcode readers, PC, etc.
- Weighing metrological log transmitted (Alibi Memory MPP)
- It can be connected to max 2 analog or digital scales

- 2 slots dedicated expansions (Serial, I/O digital, Field Bus, I/O Analog, etc)
- Power supply: 110-240 VAC, 50/60 Hz with external power supply, 12 VDC.
- Case protection degree IP30 (IP65 Front Panel)
- CE approval for up to 6000 divisions
  - Multidivision and Multirange versions (3x3000 or 2x4000)
- OIML Certificate 
- NTEP Approval 



Totalizations



## OPTIONAL

### SERIAL OUTPUT CARD

It allows managing 2 additional serial outputs besides the two provided.

- RS32, RS422, RS485 optoisolated formats
- Outputs on DSUB 9-pole connector and terminal
- Programmable Baud rate

### INPUT/OUTPUT CARDS

- TYPE A
  - There are 4 inputs and 6 outputs for each card
  - Input: with galvanic insulation  $V_{max}$  24Vdc
  - Output: Optomos  $V_{max}$  24Vac/Vdc,  $I_{max}$  190 mA
  - Inputs/Outputs on terminal
- TYPE B
  - There are 8 inputs and 12 outputs for each card
  - Input: with galvanic insulation  $V_{max}$  24 Vdc
  - Output: Optomos  $V_{max}$  24 Vac/Vdc  $I_{max}$  200 mA
  - Inputs/Outputs on 25-pole Dsub
  - 25-pole DSUB interface cable / terminal block

### FIELD BUS CONNECTION CARDS

Connection cards for Fieldbus networks

- Profibus DP Operation
- Ethernet/IP
- Profinet
- Modbus

### WiFi COMMUNICATION DEVICE

- Internal option of the wireless data transmission Device according to 802.11b/g WLAN / WiFi
- External option (Bridge ETH-WiFi)

### DIGITAL-INPUT CARD/ANALOG OUTPUT-INPUT

Multi-purpose optional card

- 1 analog output 0-10V/4-20 mA
- 2 impulse count inputs Freq max 2 kHz
- 1 analog input 0-10 V/4-20 Ma
- Inputs/Outputs on terminal

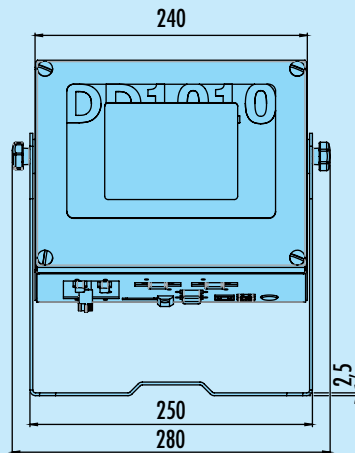
### SCALE INTERFACE CARD ANALOG

- Internal resolution up to one million points, conversion speed up to 100 conversions/second
- Digital filters that can be customised by SW parameters

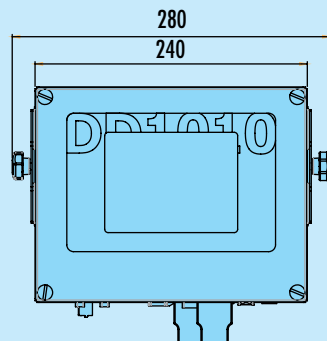
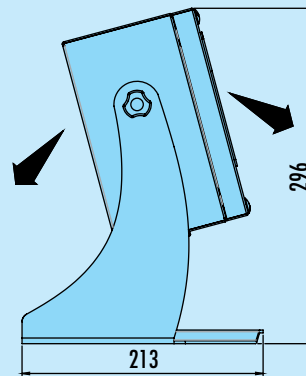
### DIGITAL

- Optoinsulated RS485 interface with proprietary protocol
- Diagnostic management of digital cells (conversion, power supply, temperature, etc)
- Automatic software correction of the eccentric load
- Cell power supply from 10 to 18 Vdc, it can be varied automatically depending on the cable length

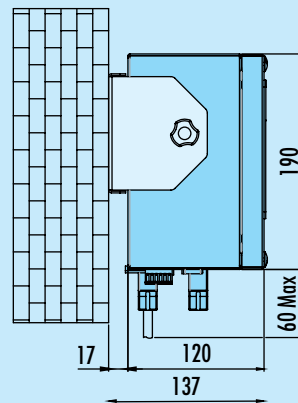
# Diade DD 1010ic weighing indicator




**DD1010ic desk-stand version**



**DD1010ic wall-mounted version**



 = Optional

## DETAILED SPECIFICATIONS

- Analog load cell power supply voltage 5VDC (optional 10VDC)
- Max number of analog cells: 12 cells with 350 Ohm impedance for each scale (12+12 in a dual scale version (duplex) )
- A/D convertor characteristics: Sigma Delta 24 bits, digital filtering, +5VDC power supply, 6-wire connection (sensing on cell power supply), atmospheric discharge protection devices
- Digital load cell power supply voltage 10-18 VDC
- Max number of digital cells: 12 for each scale, 8 + 8 in the double scale version (duplex)
- Power supply: 110-240 VAC, 50/60 Hz with external input power supply 12 VDC.