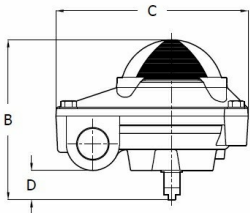
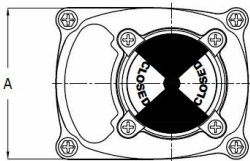


Fig. 79651 Econ Limit Switch



Dimensions

A	B	C	D	ISO5211
[mm]				
8893 112 17 F05				

Order Information

Model No.	Type of switch	Switch model
EC796510000AMS	Mechanical	Mechanical V3

A Switch box is used to monitor the open and closed position of automated valves.

The ECON Fig. 79651 limit switch box is designed to provide accurate and reliable valve position information of actuated valves and also hand operated valves.

The Fig. 79651 limit switch box consists of an aluminium body a poly carbonate visual position indicator, quick-set cam assemblies, terminal strip, switch assemblies and an easy mounting bracket. Quick-set cams enables rapid manual switch adjustments. Tools are not required.

A standard mounting bracket (30x80x30) is included.

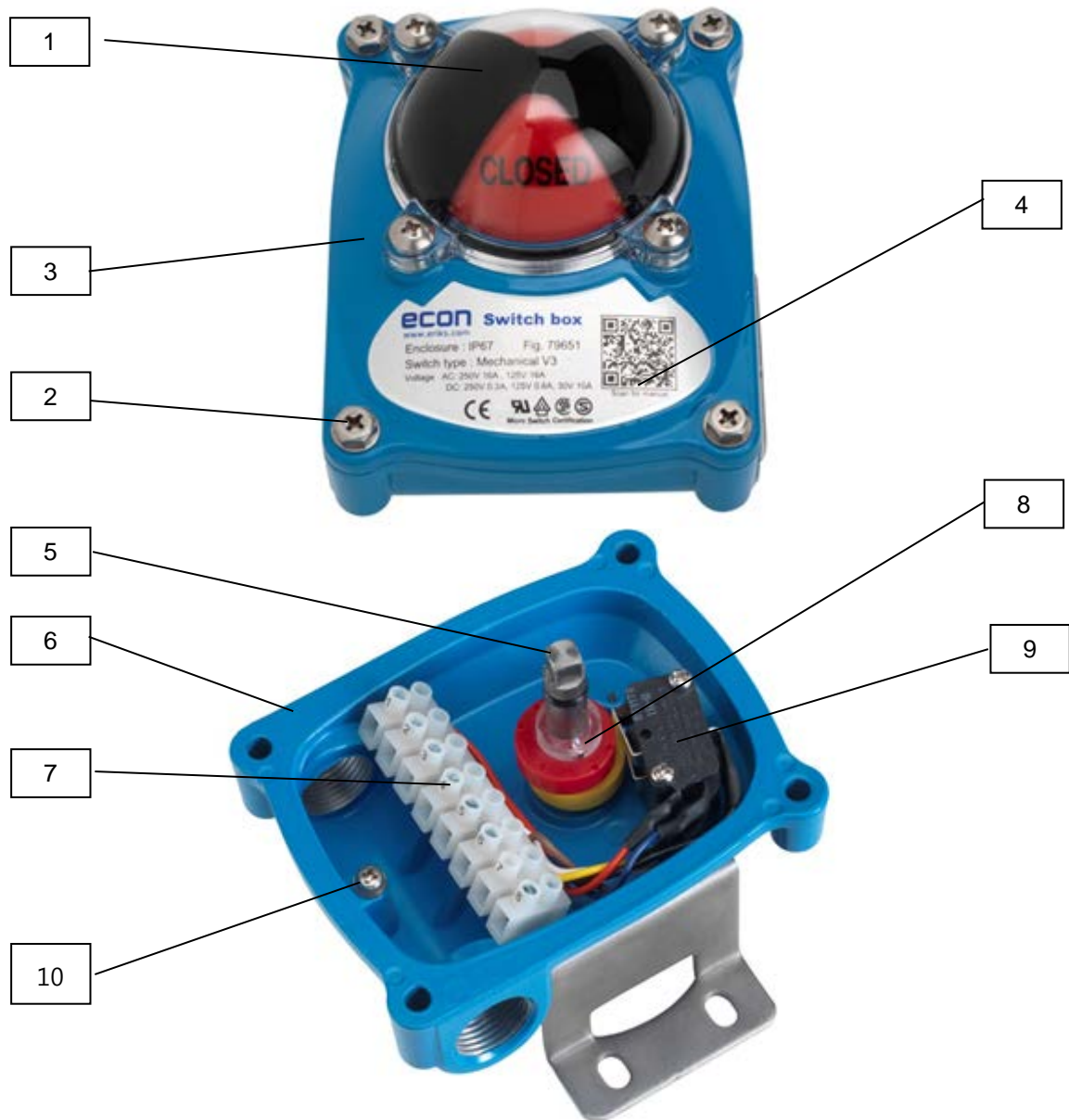
ECON switch boxes are suitable for single and double acting pneumatic actuators which have NAMUR connections.

Model:	Fig. 79651
Enclosure rating:	Weather-proof IP67, NEMA 4 & 4X
Enclosure:	High grade anodized Aluminum alloy
Ambient temperature range:	-4°F up to +175°F (-20°C up to +80°C)
Conduit entries:	2x M20x1,5 (optional: NPT1/2" or PG13,5)
Travel angle:	90° +/-10%
Visual position indicator:	Open: Yellow; Close: Red. Language: English (Open /Closed)
Terminal strip	8 point
External coating:	Dry powder polyester



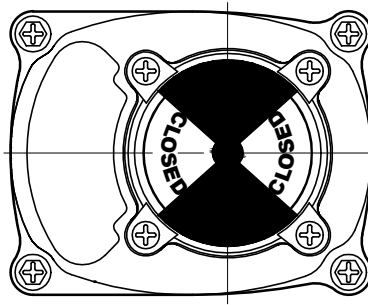
Scan for manual
Installation & Operation Manual for Limit Switch Box: Fig. 79651

STANDARD FEATURES

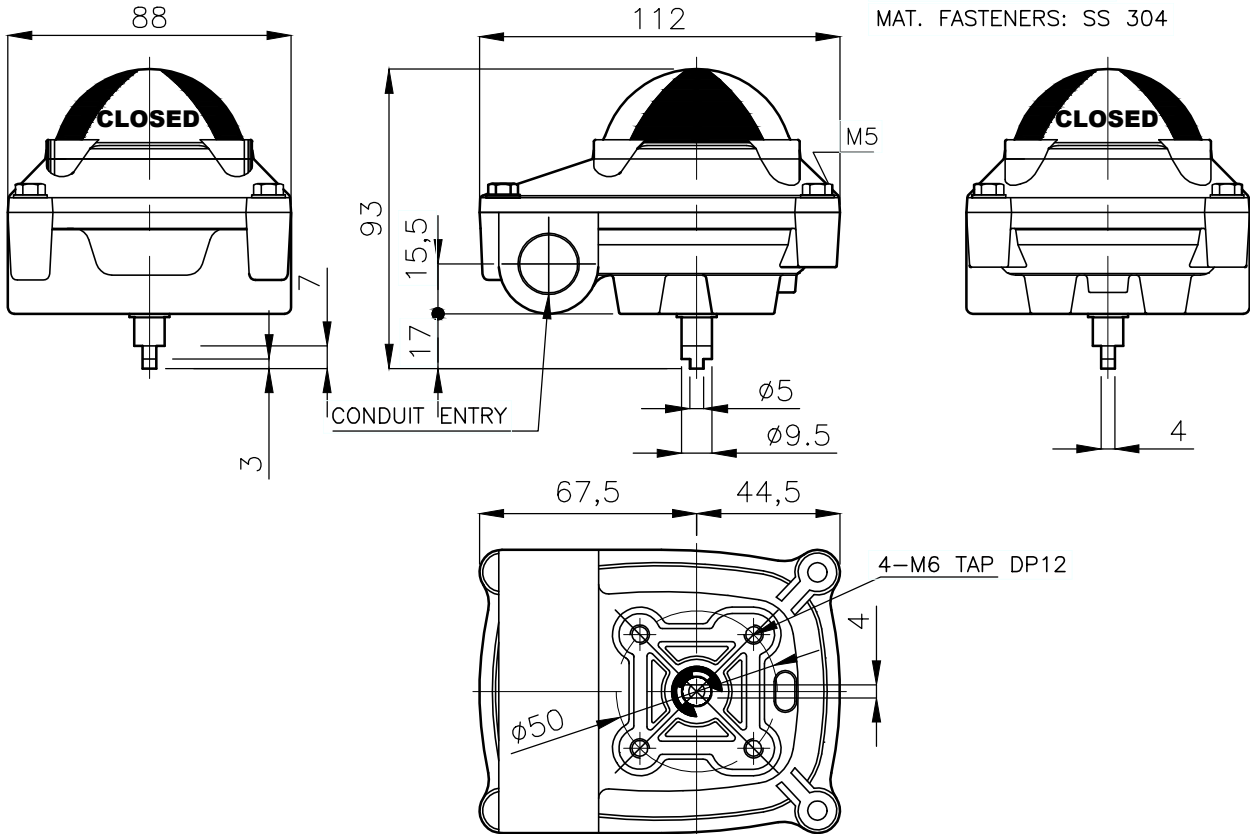


No.	Part Name	Q'ty	Description
1	Window / Indicator	1	PC / ABS
2	Cover Captive Cover Bolt	4	Stainless steel
3	Cover	1	Aluminium Die casting
4	Name Plate	1	Sticker
5	Shaft	1	Stainless steel
6	Body	1	Aluminium Die casting
7	Terminal Strip	1	8 positions
8	Cam	2	PC
9	Switch	2	See switch type specification (chapter 3)
10	Grounding Lug	1	Stainless steel

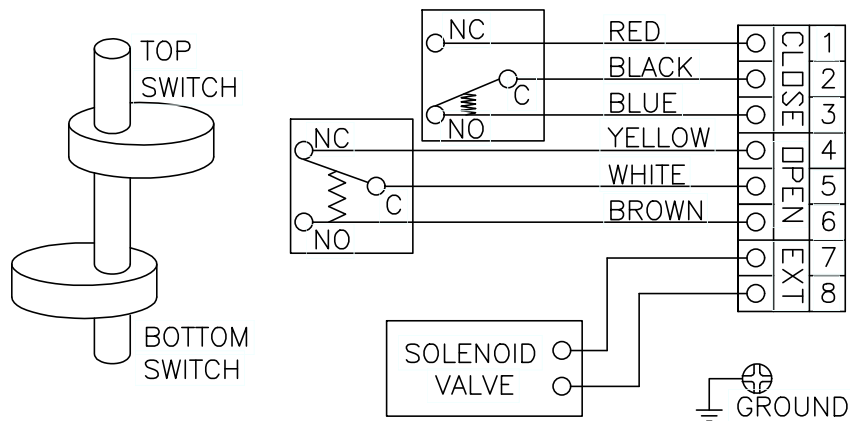
LIMIT SWITCH BOX 79651-AMS



SWITCH MODEL: MECHANICAL V3
 SWITCH TYPE: STARION SZM-V16-1FA-61
 MAX. VOLT.+AMP.: 250VAC 16A
 TEMP. LIMITS: -20°/+80°C
 ENCLOSURE: IP67
 CONDUIT ENTRY: 2x M20x1,5
 (2x NPT 3/4" OPTIONAL)
 MAT. BODY: ALUMINIUM
 MAT. POS. INDICATOR: POLYCARBONATE
 MAT. SHAFT: SS 304
 MAT. FASTENERS: SS 304



WIRING DIAGRAM



DATE:
17-06-2015

REV. DATE:

econ[®]

DRAWN:
JL

CHECKED:

DWG. Nr.:
79651-1

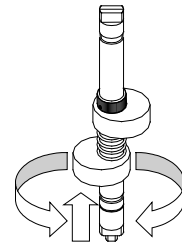
REV.:

Setting of switch/sensor cams

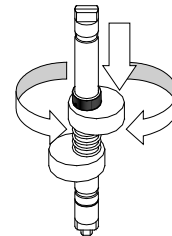
The color of the cams corresponds with the visual position indicator. Cams can be easily set without using any tools. ECON cams have a spline connection and can be set by lifting or pushing down the cams over the shaft. The cams are spring loaded and therefore self-locking.

Note : Cams are pre-set by the factory for most standard applications. This setting however must always be checked before commissioning.

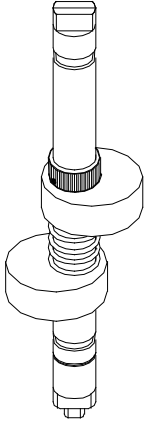
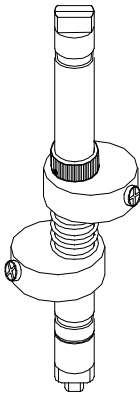
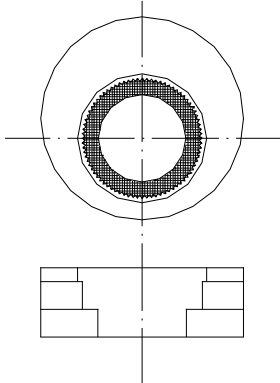
- Loosen the switch box cover bolts.
- Remove the cover carefully.
- Setting of the open-cam setting:
 - Put the actuator in the fully open position.
 - Lift the yellow (lower) cam and rotate it until the switch is activated.
 - Release the cam and it will lock itself to the shaft.



- Close cam setting
 - Put the actuator in the fully closed position.
 - Push the red (upper) cam down and rotate it until the switch is activated.
 - Release the cam and it will lock itself to the shaft.



Cam types

Cams for mechanical switches	Cams with metal insert for proximity sensors	Splined cam
		

Wiring of the limit switch box



DANGER:

HAZARDOUS VOLTAGE. *Electrical power must not be connected until all wiring and limit switch adjustments have been completed. Once the power is supplied to the actuator, precautions must be taken if the cover is not mounted.*

ECON limit switch boxes have prewired switches. All user connections must be made on the numbered terminal strip. A wiring diagram, located inside the cover, indicates which terminal numbers correspond with switch contacts. Follow the wiring diagram in order to make a correct connection to your system.

A solenoid valve may also be wired through the ECON limit switch box. Two auxiliary terminals (EXT) are included as a standard.

ECON limit switch boxes have two cable entries and are being supplied with a blanking cap/plug. A cable gland must be selected by the user or installer and must meet the applicable enclosure rating

Mechanical switch – 2 SPDT (Standard)

