

COMMONWEALTH AC AXIAL FAN

FP-108EXM

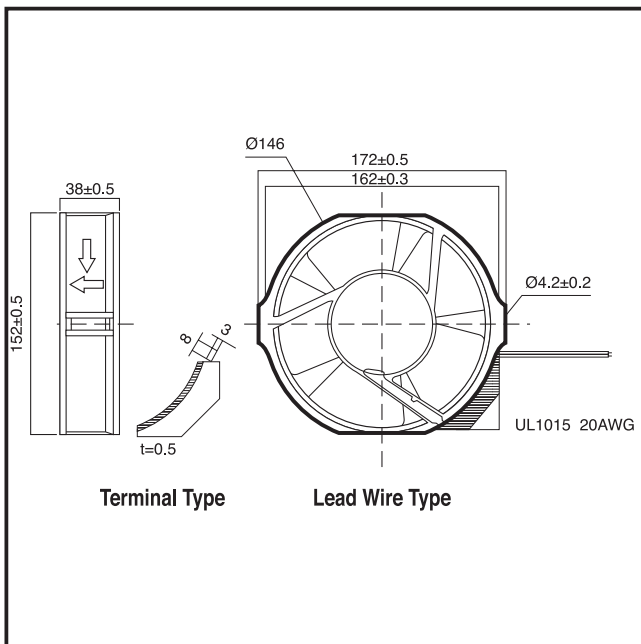
172x150x38mm



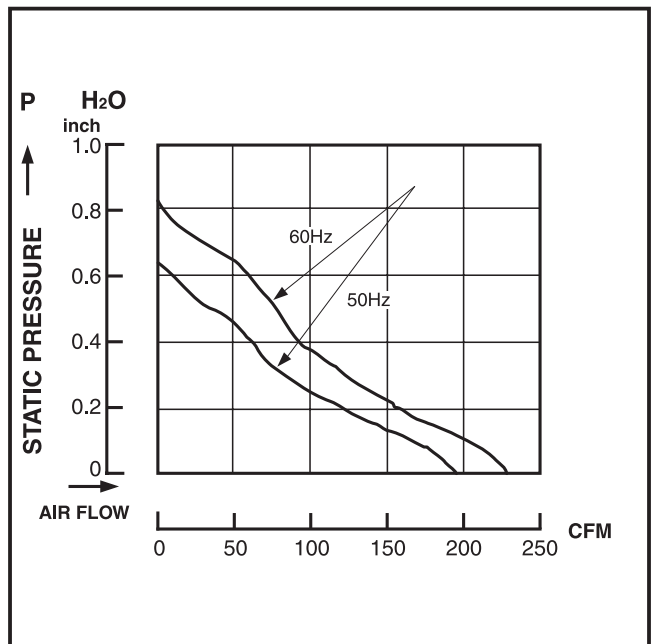
DESIGN FEATURES

- ***BEARING SYSTEM:** BALL BEARING
- ***IMPELLER:** PLASTIC WITH FIBER GLASS FILLED UL 94V-0
- ***HOUSING:** DIE CAST ALUMINUM PAINTED BLACK OR NATURAL COLOR
- ***MOTOR:** SHADE POLE MOTOR
- ***PROTECTION:** THERMAL PROTECTION & IMPEDANCE PROTECTION
- ***CONNECTING:** WIRE LEADS & TERMINAL
- ***OTHER VOLTAGE:** 24,48,100,380 V AC (50/60Hz) ARE AVAILABLE

DIMENSIONS:MM



PERFORMANCE



SPECIFICATIONS

Specifications are subject to change without notice

MODEL NO.	VOLT (VAC)	FREQUENCY (HZ)	AIR (CFM)	VOLUME (M ³ /MIN)	CURRENT (A)	POWER (W)	SPEED (RPM)	STATIC PRESSURE (INCH-H ₂ O)	NOISE (dBA)
FP-108EXM	110/120	50/60	205/230	5.80/6.50	0.40/0.40	30/28	2700/2900	0.75/0.60	49
FP-108EXM	220/240	50/60	205/230	5.80/6.50	0.28/0.23	38/35	2700/2900	0.75/0.60	49