

## FEATURES

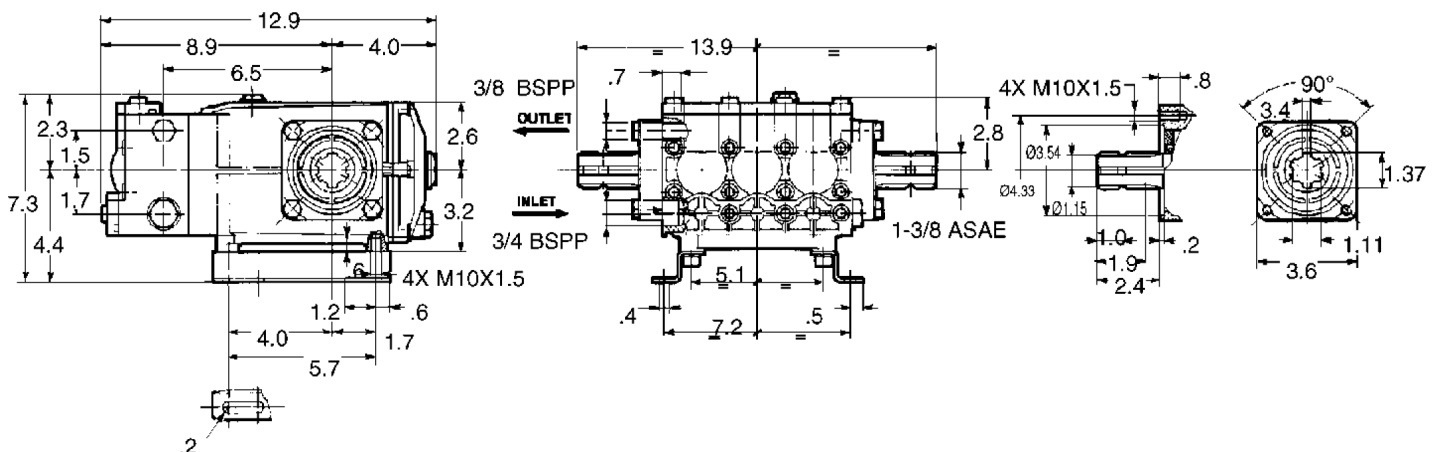
- The industry's choice for high flow applications
- Aluminum Manifold
- Large-capacity, die-cast, anodized aluminum oil-bath crankcase
- Solid ceramic plungers with continuously lubricated packings
- Dual shaft
- Over-sized connecting rods for maximum life
- Duplex pulsing action for improved impacted cleaning
- Heavy-duty tapered roller bearing
- Unitized stainless steel inlet and discharge valves



## SPECIFICATIONS

Pump Model	AT0055DP
Maximum Volume	13.22 GPM
Maximum Discharge Pressure	725 PSI
Maximum Pump Speed	650 RPM
Maximum Inlet Pressure	125 PSI
Plunger Bore	1.417 in. / 36 mm
Plunger Stroke	.945 in. / 24 mm
Crankcase Oil Capacity	51 oz.
Maximum Fluid Temperature	165° F
Inlet Port Thread	3/4-14 BSP-F
Discharge Port Thread	3/8-19 BSP-F
Shaft Diameter	1-3/8" ASAE (2)
Weight	36 lbs.
Dimensions	13" x 14" x 7.5"

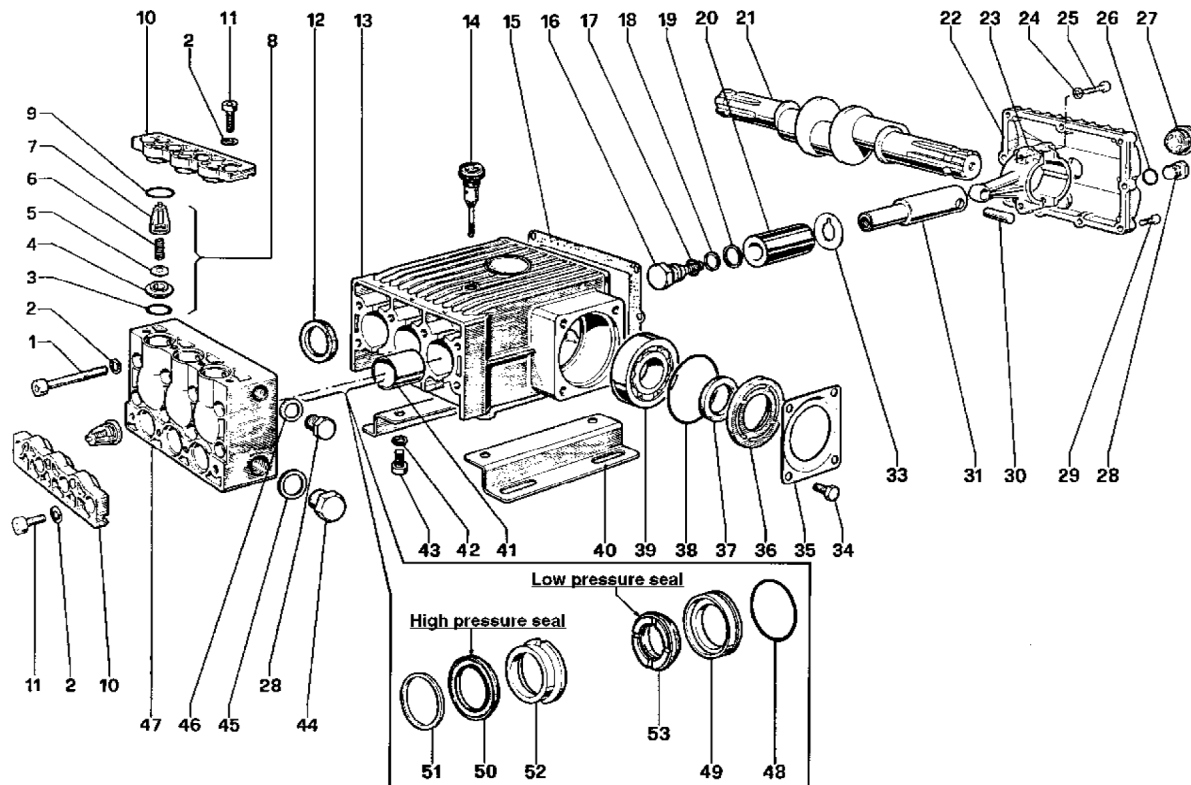
## DIMENSIONAL DRAWING



General Pump  
is a member of  
the Interpump Group

Ref 300286 Rev. C  
06-17





## PARTS LIST

ITEM	PART NO.	DESCRIPTION	QTY.	ITEM	PART NO.	DESCRIPTION	QTY.	ITEM	PART NO.	DESCRIPTION	QTY.
1.	99378700	Screw	8	19.	96755500	Washer	3	36.	69211551	Shim	2
2.	96710400	Washer	16	20.	69040009	Plunger, 36 mm	3		69211651	Side Cover	1
3.	90385900	O-ring	6	21.	69020035	Crankshaft 1-3/8 ASAE Dual	1	37.	90167200	Oil Seal	2
4.	36201766	Valve Seat	6		69020335	Crankshaft 1-3/8 ASAE Single		38.	90413100	O-ring	2
5.	36201876	Valve	6		69020735	1-3/8 ASAE x 35mm Solid		39.	91848000	Bearing	2
6.	94739400	Spring	6	22.	69160022	Crankcase Cover	1	40.	47200074	Foot	2
7.	36200851	Valve Guide	6	23.	69030001	Connecting Rod	3	41.	90916200	Bushing	3
8.	36706001	Valve Unit	6	24.	96701400	Washer	6	42.	96710600	Washer	4
9.	90405500	O-ring	6	25.	99309900	Screw	6	43.	99364400	Screw	4
10.	69218022	Valve Cover	2	26.	90383300	O-ring	1	44.	98226500	Cap Screw	1
11.	99366900	Screw	8	27.	97596800	Oil Site Gauge	1	45.	96770000	Washer	1
12.	90165600	Oil Seal	3	28.	98210000	Cap Screw	2	46.	96738000	3/8" Gasket	1
13.	69010022	Crankcase	1	29.	99186700	Screw	9	47.	69120022	Manifold	1
14.	98210600	Oil Dipstick	1	30.	97739800	Pin	3	48.	701133	O-ring	3
15.	69211984	Gasket	1	31.	69050022	Plunger Guide	3	49.	69080270	Packing Retainer	3
16.	69219566	Plunger Screw	3	33.	96756500	Washer	3	50.	90282000	Packing	3
17.	701115	O-ring	3	34.	99363600	Screw	8	51.	69100293	Head Ring	3
18.	90510700	Anti-ext. ring	1	35.	68150074	Cover	2	52.	69216870	Intermed. Ring	3
								53.	90382300	Seal, LP, 36mm	3

## REPAIR KITS

KIT NO.	K32	K37	K38	K39	K40	K41	K42	K62	K74
ITEM NO's INCLUDED IN KIT	37	12	50, 53	48, 49, 50, 51, 52, 53	48, 49	51	52	3, 4, 5, 6, 7 (8)	16, 17, 18, 19
NUMBER OF ASSEMBLIES IN KIT	2	3	3	1/2	3	6	3	6	3
NUMBER OF CYLINDERS KIT WILL SERVICE	-	3	3	1	3	3	3	3	3

## TORQUE SPECS\*

Pos.	Ft/lb	N-M
1	29.4	40
11	44.2	60
16	29.4	40
25	14.7	20
27	13.2	18
28	29.4	40
29	7.3	10
34	29.4	40
43	29.4	40
44	51.5	70

\* Decrease torque by 20% if threads are lubricated

Ref 300286 Rev. C  
06-17