

C-4

FLOAT SWITCH

GENERAL FEATURES

As Ayvaz C-4's float moves along with fluctuation of the fluid inside the tank provides contact via micro switch when it reaches the activation point. Pumps, selenoid valves, motorized valves and alarms can be controlled efficiently, safely and continually via micro switches.

Installation:

C-4 float Switch can be mounted to the tank's wall. Additionally, it can be mounted with socket welded flanges to the tank's wall. For high/low level contacts, float switches should be mounted upward direction as arrow shows on the flange.

Application Areas:

- Pressurised / Non- Pressurised Tanks
- Fuel Tanks
- Freshwater / Sewage Tanks
- Acid Tanks
- Steam Generator
- Boilers
- Hydrophore
- Water Treatment Systems

Advantages

- Magnetic Working
- Wide Adjustment Range
- Inbuild Sealing
- Long Life Service
- Various Applications

Accessories: Testing Rod, Adjustment Rod

For high temperature and pressures please contact with customer representative.

PRODUCT FEATURES

Float: AISI 316L Stainless Steel

Flange Material AISI 304
(Opt. PN16 Carbon Steel)

Cover: Aluminium

Protection Class: IP66

Max. Working Temperature: 150 °C

Max. Working Pressure: 16 bar

Micro Switch: 16 A

Max. Switch Voltage 480 VAC/DC

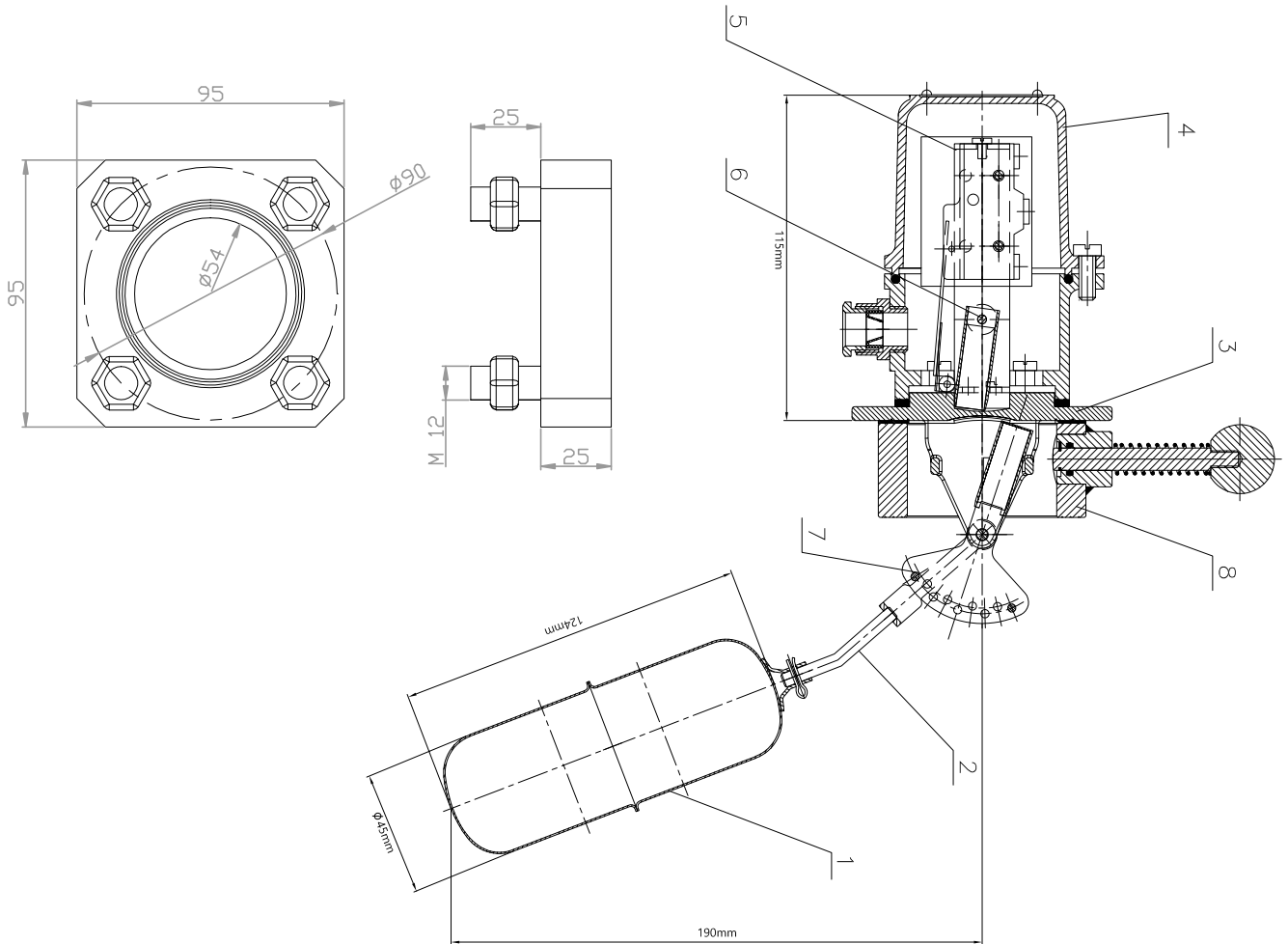
Contact Type: NO/NC

Activation Level Limit: 20-180 mm
(Above the limit multiple C-4 should be used)

C-4 FLOAT SWITCH



ADJUSTABLE ROD C-4 TECHNICAL SPECIFICATION

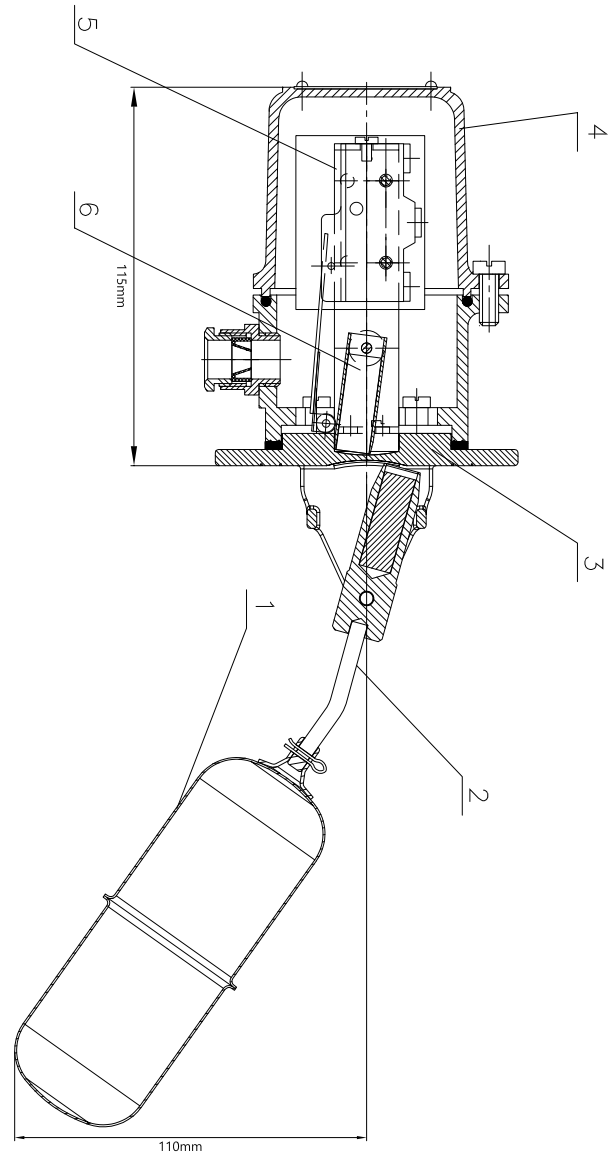
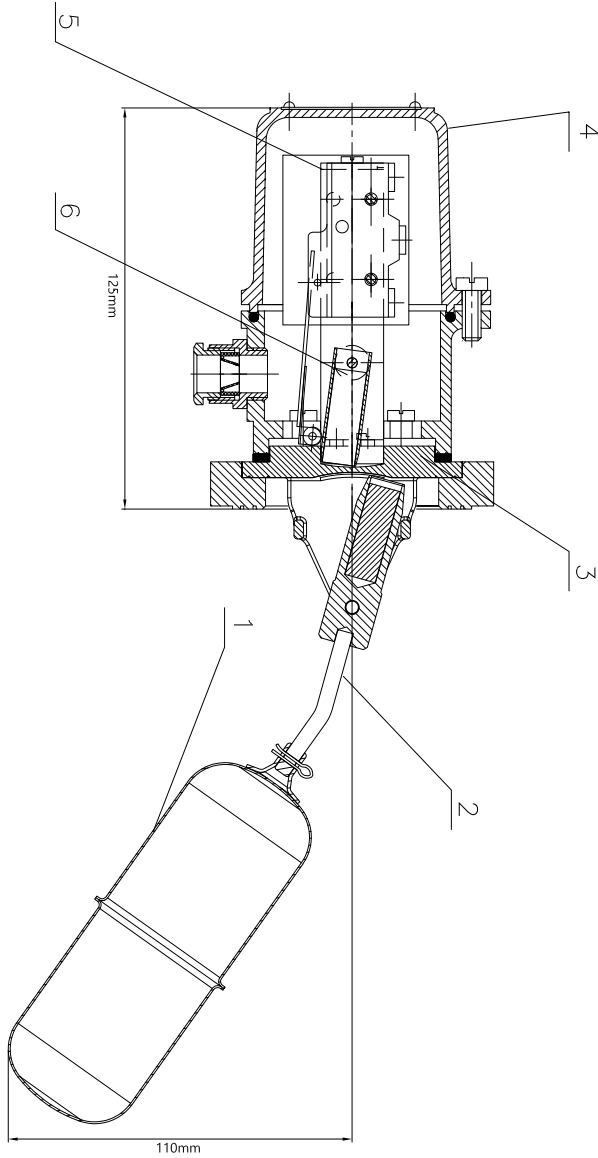


No	Part List	Material List
1	Float	AISI 316L
2	Rod	-
3	Flanged	AISI 304
4	Body	Cast. Aluminium
5	Micro Switch	-
6	Magnet	-
7	Adjustment Rod	AISI 304
8	Test Rod	AISI 304

C-4 FLOAT SWITCH

CARBON STEEL C-4

STANDARD C-4



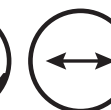
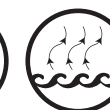
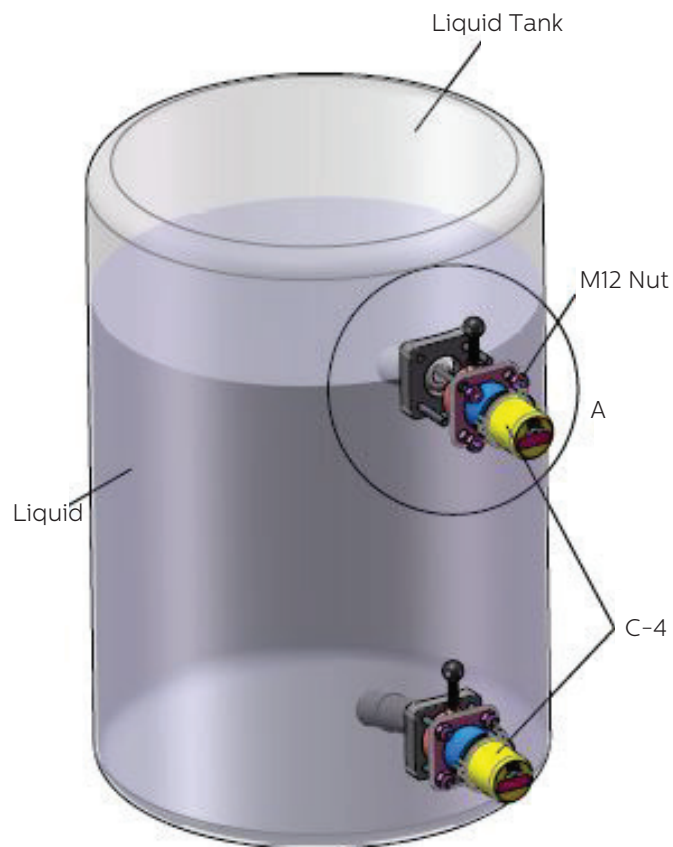
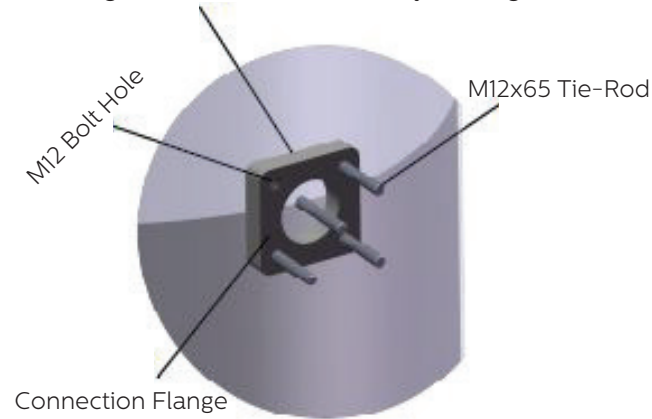
No	Part List	C-4 Standard	C-4 Carbon Steel (PN16)
1	Float	AISI 316L	AISI 316L
2	Rod	AISI 316	AISI 304
3	Flange	AISI 304	St 37
4	Body	Cast. Aluminium	Cast. Aluminium
5	Micro Switch	-	-
6	Magnet	-	-
7	Adjustment Rod	-	-
8	Test Rod	-	-

C-4 FLOAT SWITCH

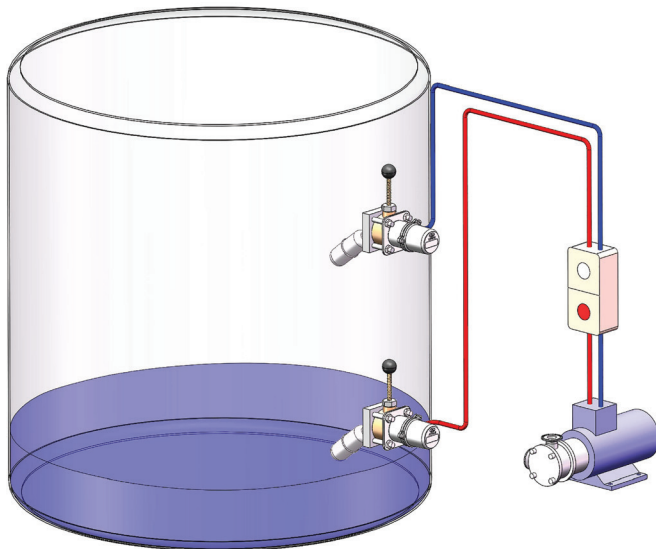


INSTALLATION PROCEDURE

The flange is mounted to the tank by welding



C-4 FLOAT SWITCH

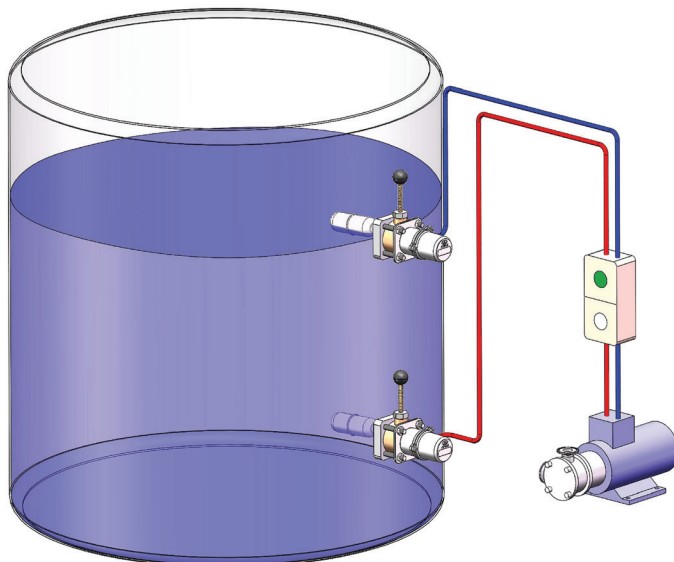
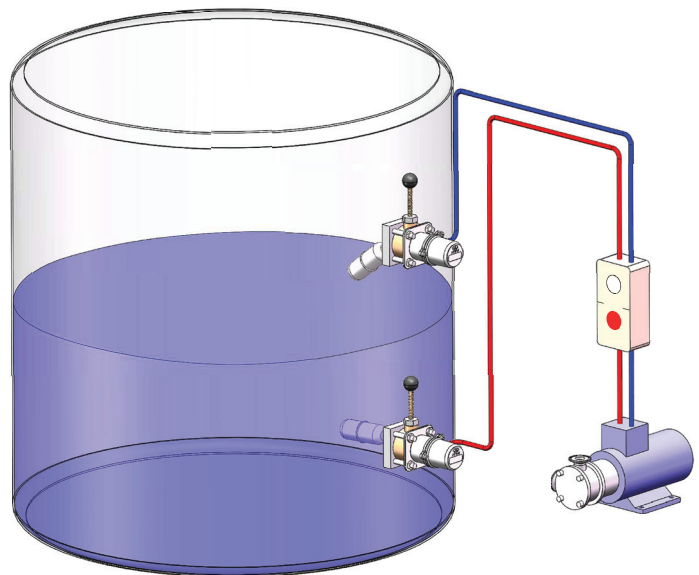


Stage 1

As the fluid rises inside of the tank, so does the float with it. When the float reaches the activation level, water pump goes on and starts filling the tank.

Stage 2

Sealed pump keeps filling the tank until it reaches the upper C-4's activation level.



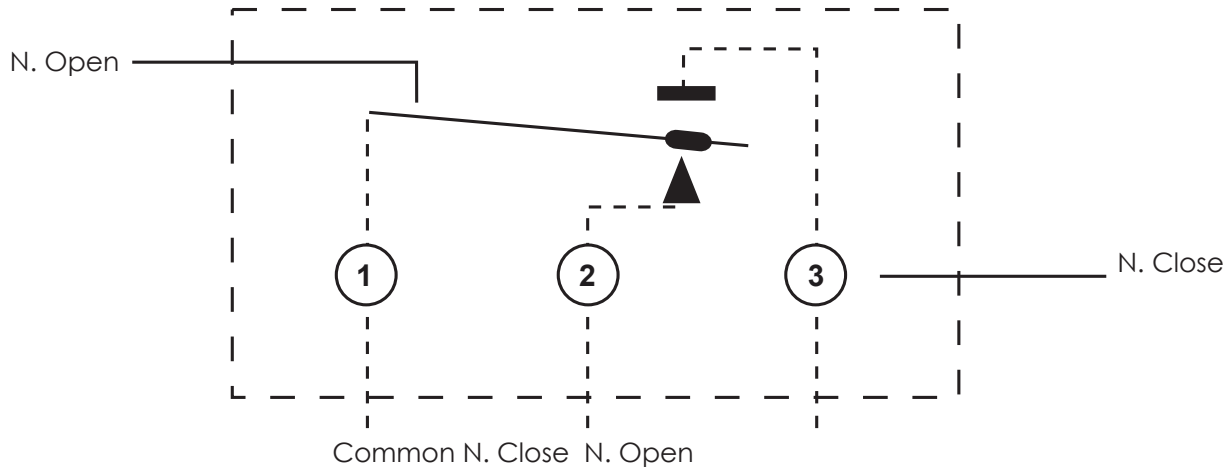
Stage 3

When the fluid inside of the tank lifts the float, pump stops filling the tank. This procedure repeats itself when the fluid drops to the activation level of lower C-4s.

C-4 FLOAT SWITCH



ELECTRICAL CONNECTION SCHEME



PUMP START

_____ NO
 _____ Ø
 _____ COM

PUMP STOP

_____ Ø
 _____ NC
 _____ COM

LOW ALARM

_____ Ø
 _____ NC
 _____ COM

SHORT ALARM

_____ NO
 _____ Ø
 _____ COM



HEAD OFFICE - FACTORY

Atatürk Sanayi Bölgesi Hadımköy Mahallesi Mustafa İnan Caddesi No: 44 Arnavutköy - İSTANBUL
 Tel: +90 212 771 01 45 (pbx) | Fax: +90 212 771 47 27
 info@ayvaz.com | www.ayvaz.com

Cona
Caserta/Italy
 Tel: +39 0823 187 3988
 rmolaro@ayvaz.com

Ayvaz Russia
Moscow/Russia
 Tel: +74959951728
 ayvazrus@ayvaz.com

Ayvaz Germany
Viernheim/Germany
 Tel: +49 62046014399
 germany@ayvaz.com

Ayvaz Ukraine
Kiev/Ukraine
 Tel: +380 44 390 57 57
 info@ayvaz.com.ua

Tricorr
Warsaw/Poland
 Tel: +48-32-783-295-1
 tricorr@tricorr.eu

Haci Ayvaz M.E.
Dubai/U.A.E
 Tel: +971 563550822
 +971 501306871
 mideast@ayvaz.com

Ayvaz China
Cixi City/China
 Tel: +86 0574 5897 3851
 info@ayvazchina.com

Ayvaz Kazakhstan LLP
Almaty/Kazakhstan
 Tel: +7 (727) 327 97 57
 info_kz@ayvaz.com
 www.ayvaz.kz

Ayvaz N
İsperih/Bulgaria
 Tel: +359 8431 27 32
 office@ayvaz-n.eu

Ayvaz Serbia
Belgrad/Serbia
 Tel: +381 61 658 70 52
 yakbiyik@ayvaz.com