



DATA SHEET

Customer:	
Ref.:	
Order:	
Motor:	
Serial nr:	
Date:	18-09-2019

ASYNCHRONOUS MOTOR 3D2 160L-2

Nameplate data:

Code: 115301

Type:	3D2 160L-2			IP55	F/B	Amb. temp.: Max. 40°		
kW	Hz	V	A	Rpm	Cos	Eff.	Duty	IE.class
18,50	50	400D	33,0	2940	0,89	90,9%	S1	IE2
18,50	50	690 Y	19,1	2940	0,89	90,9%		
22,20	60	460 D	34,4	3528	0,89	90,9%		

Description:

Mounting form:	B3
Bearing DE:	6309/C3
Bearing NDE:	6309/C3
Weight - Kg.:	134
Heater:	No Heater
PTC:	PTC mounted
Kgm ² :	0,0648
Sound press.-db(A):	71,0

Other:

Test data S1-duty, Amb.temp 40°C:

Voltage - V:	400
Frequency - Hz:	50
Power - kW:	18,50
Full load speed - Rpm:	2940
Full load current - A:	33,00
Full load power factor - Cos:	0,89
Locked rotor current - A:	267,3
Locked rotor factor - A_{st}/A_n :	8,1

Efficiency 100% load - %:	90,9%
Efficiency 75% load - %:	92,2%
Efficiency 50% load - %:	91,3%
Full load torque - Nm:	60,1
Locked rotor torque - Nm:	132,3
Locked rotor torque - Nm_{st}/Nm_n :	2,2
Max. Pull out torque - Nm:	138,3
Max. Pull out torque. - Nm_{st}/Nm_n :	2,3

Over load/speed test	kW	Hz	V	A	Rpm
Over load 160% - 15sec.	29,60	50	400	52,80	2940
Over speed 125% - 2 min.	18,5	63	400	33,00	3675
H-Pot test voltage: 1800V			Temp. rise in stator:		

The motor is produced in accordance with following harmonized standards:

IEC60034-1, IEC60034-2, IEC60034-5, IEC60034-6, IEC60034-7, IEC60034-8, IEC60034-9
IEC60034-12, IEC60034-14, IEC60034-30, IEC60072.

Additional specifications in accordance with:

RINA - GL - LRS - BV - DNV - ABS - KR - RR - CCS - CCC - RMRS.

Bevi Group:

BEVI AB, Sweden
BEVI A/S, Denmark
BEVI Norge A/S, Norway
BEVI Finland OY AB, Finland
BEVI CHINA, China

www.bevi.se
www.bevi.dk
www.bevi.no
www.bevi.fi
www.bevi.cn

sales@bevi.se
bevi@bevi.dk
info@bevi.no
info@bevi.fi
sales@bevi.cn

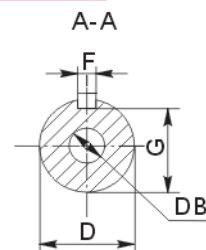
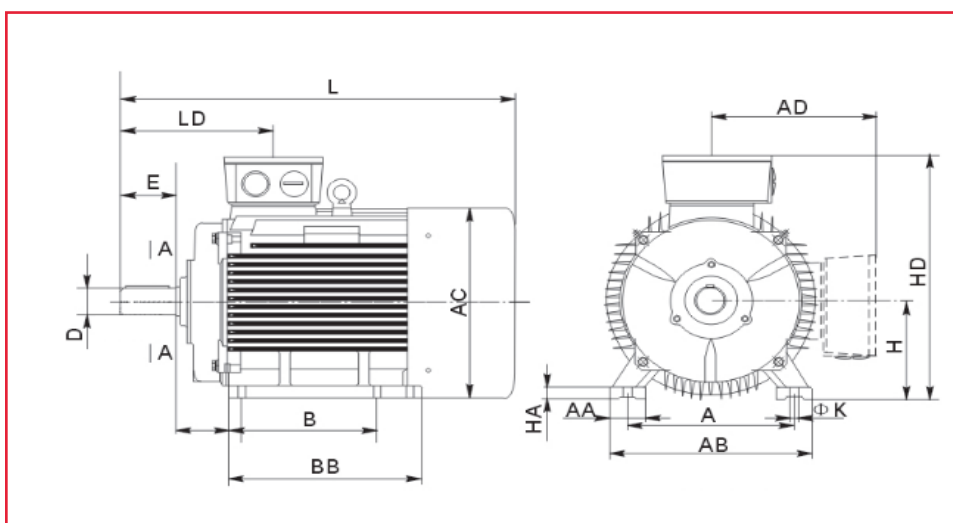
+46 499 271 00
+45 39 67 36 05
+47 22 07 66 50
+358 9 2709 1210
+86 21 5032 5200



DATA SHEET

Customer:	
Ref.:	
Order:	
Motor:	
Serial nr:	
Date:	18-09-2019

Foot mounted motor 3D2 160L-2 B3



A: 254	HD: 440	E: 110
B: 254	C: 108	D: 42
AB: 320	H: 160	G: 37
AC: 320	K: 15	DB: M16
AD: 285	L: 685	F: 12
LD: 259	L (V1): 735	

Bevi Group:

BEVI AB, Sweden
 BEVI A/S, Denmark
 BEVI Norge A/S, Norway
 BEVI Finland OY AB, Finland
 BEVI CHINA, China

www.bevi.se
 www.bevi.dk
 www.bevi.no
 www.bevi.fi
 www.bevi.cn

sales@bevi.se
 bevi@bevi.dk
 info@bevi.no
 info@bevi.fi
 sales@bevi.cn

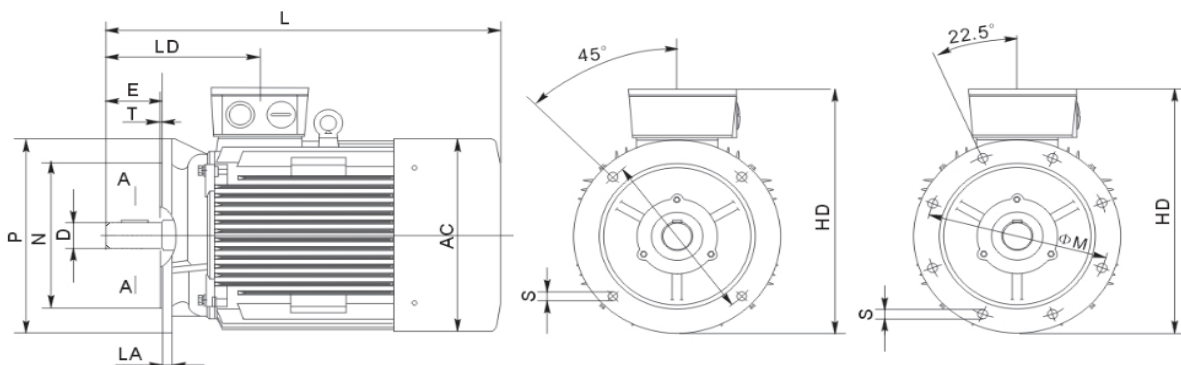
+46 499 271 00
 +45 39 67 36 05
 +47 22 07 66 50
 +358 9 2709 1210
 +86 21 5032 5200



DATA SHEET

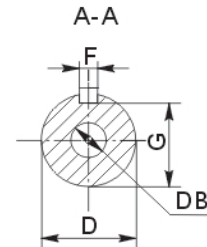
Customer:	
Ref.:	
Order:	
Motor:	
Serial nr:	
Date:	18-09-2019

Flange mounted motor 3D2 160L-2 B5



IEC 56-200

IEC 225-400



M: 300	HD: 440	E: 110
N: 250	L: 685	D: 42
P: 350	L (V1): 735	G: 37
S: 19	LD: 259	DB: M16
		F: 12

Bevi Group:

BEVI AB, Sweden
 BEVI A/S, Denmark
 BEVI Norge A/S, Norway
 BEVI Finland OY AB, Finland
 BEVI CHINA, China

www.bevi.se
www.bevi.dk
www.bevi.no
www.bevi.fi
www.bevi.cn

sales@bevi.se
bevi@bevi.dk
info@bevi.no
info@bevi.fi
sales@bevi.cn

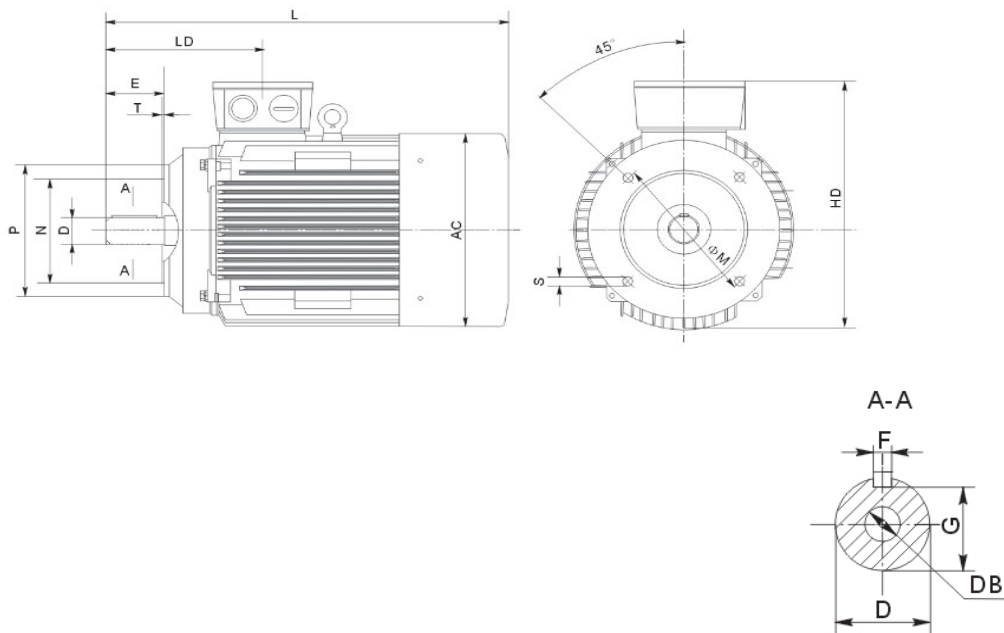
+46 499 271 00
 +45 39 67 36 05
 +47 22 07 66 50
 +358 9 2709 1210
 +86 21 5032 5200



DATA SHEET

Customer:	
Ref.:	
Order:	
Motor:	
Serial nr:	
Date:	18-09-2019

Flange mounted motor 3D2 160L-2 B14A + (B14B)



Flange type: B14A

M: 0
N: 0
P: 0
S: 0

B14B

0
0
0
0

HD: 440
L: 685
L (V1): 735
LD: 259

E: 110
D: 42
G: 37
DB: M16
F: 12

Bevi Group:

BEVI AB, Sweden
BEVI A/S, Denmark
BEVI Norge A/S, Norway
BEVI Finland OY AB, Finland
BEVI CHINA, China

www.bevi.se
www.bevi.dk
www.bevi.no
www.bevi.fi
www.bevi.cn

sales@bevi.se
bevi@bevi.dk
info@bevi.no
info@bevi.fi
sales@bevi.cn

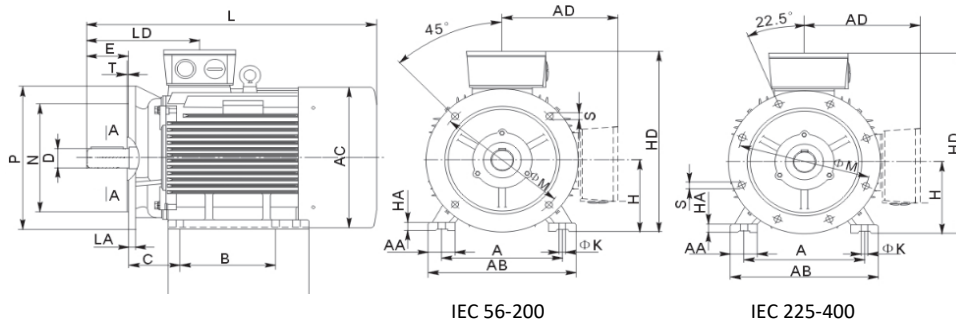
+46 499 271 00
+45 39 67 36 05
+47 22 07 66 50
+358 9 2709 1210
+86 21 5032 5200



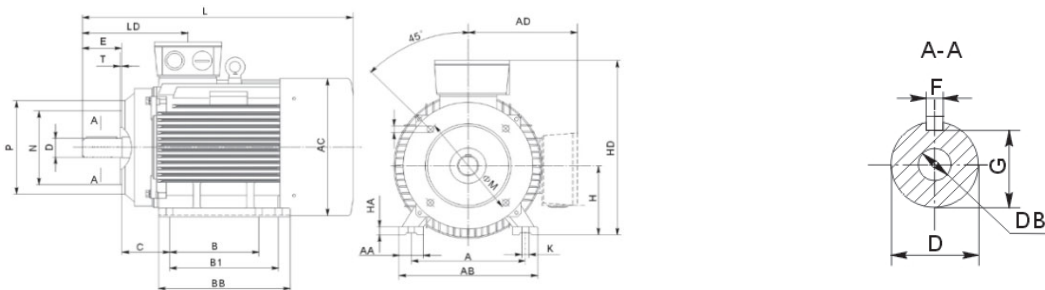
DATA SHEET

Customer:	
Ref.:	
Order:	
Motor:	
Serial nr:	
Date:	18-09-2019

Foot & flange mounted motor 3D2 160L-2 B3/B5



3D2 160L-2 B14A + (B14B)



Flange type: B5

M: 300
N: 250
P: 350
S: 19

A: 254
B: 254
AB: 320
AC: 320
AD: 285
LD: 259

B14A

M: 0
N: 0
P: 0
S: 0

HD: 440
C: 108
H: 160
K: 15
L: 685
L (V1): 735

(B14B)

M: 0
N: 0
P: 0
S: 0

E: 110
D: 42
G: 37
DB: M16
F: 12

Bevi Group:

BEVI AB, Sweden
BEVI A/S, Denmark
BEVI Norge A/S, Norway
BEVI Finland OY AB, Finland
BEVI CHINA, China

www.bevi.se
www.bevi.dk
www.bevi.no
www.bevi.fi
www.bevi.cn

sales@bevi.se
bevi@bevi.dk
info@bevi.no
info@bevi.fi
sales@bevi.cn

+46 499 271 00
+45 39 67 36 05
+47 22 07 66 50
+358 9 2709 1210
+86 21 5032 5200