

dampeners



Designed to protect pressure measuring instruments from pulsating pressure applications. Sudden pressure changes are damped before they reach the sensing element, protecting it from high stress. This makes easier reading and helps to prolong the life of the instrument.

5.450 - MP4/5 - needle dampener

Nominal pressure: 6000 *psi* (400 bar).

Working temperature: -13...+392 °F (-25...+200°C).

Operation principle: variable section.

Adjustment screw: AISI 316 st.st.

Body and wetted parts: brass (Cod. **0**) or AISI 316 st.st. (Cod. **4**)

Gaskets: VITON.

Connections (process-instrument):

G 1/4 B M x G 1/4 B F;

1/4" NPT M x 1/4" NPT F;

G 1/2 B M x G 1/2 B F;

1/2" NPT M x 1/2" NPT F.

5.470 - MP4/7 - porous dampener

Nominal pressure: 15000 *psi* (1000 bar).

Working temperature: -58...+752 °F (-50...+400°C).

Operation principle: porous metal filter disc.

Porous disc: bronze (Cod. **PB8**) or AISI 316 st.st. (Cod. **PAG**)

Body and wetted parts: brass (Cod. **0**) or AISI 316 st.st. (Cod. **4**)

Connections (process-instrument):

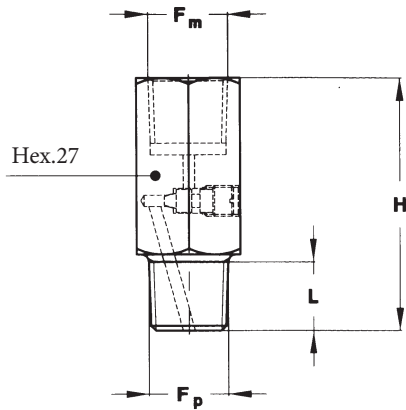
G 1/4 B M x G 1/4 B F;

1/4" NPT M x 1/4" NPT F;

G 1/2 B M x G 1/2 B F;

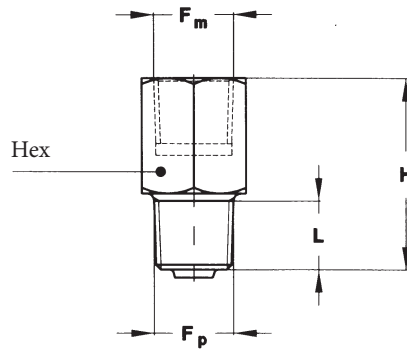
1/2" NPT M x 1/2" NPT F.

MP4/5



Weight : 0.5 lbs (0,23 kg)

MP4/7



Weight : 0.33 lbs (0,15 kg)

dimensions : inches (mm)

Fp-Fm	L	H
21M x 21F G 1/4 B M x G 1/4 B F	0.61 (15,5)	2.60 (66)
23M x 23F 1/4" NPT M x 1/4" NPT F	0.61 (15,5)	2.60 (66)
41M x 41F G 1/2 B M x G 1/2 B F	0.79 (20)	2.60 (66)
43M x 43F 1/2" NPT M x 1/2" NPT F	0.79 (20)	2.60 (66)

Fp-Fm	L	H	Hex
21M x 21F G 1/4 B M x G 1/4 B F	0.69 (17,5)	1.48 (37,5)	0.67 (17)
23M x 23F 1/4" NPT M x 1/4" NPT F	0.69 (17,5)	1.48 (37,5)	0.67 (17)
41M x 41F G 1/2 B M x G 1/2 B F	0.79 (20)	1.87 (47,5)	1.06 (27)
43M x 43F 1/2" NPT M x 1/2" NPT F	0.79 (20)	1.87 (47,5)	1.06 (27)

POROUS DISC

Material	Use	MP4/7 - brass	MP4/7 - AISI316
Bronze	oil	◆	
Bronze	water	◆	
Bronze	air	◆	
AISI 316 st.st.	air		◆

“HOW TO ORDER” SEQUENCE

Section	Model	Material	Process connection	Instrument connection	Porous disk
5	450	0	21M, 41M	21F, 41F	---
	470	4	23M, 43M	23F, 43F	PB8, PAG