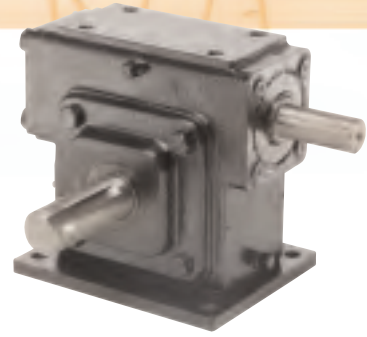


XDTS Single Reduction Model



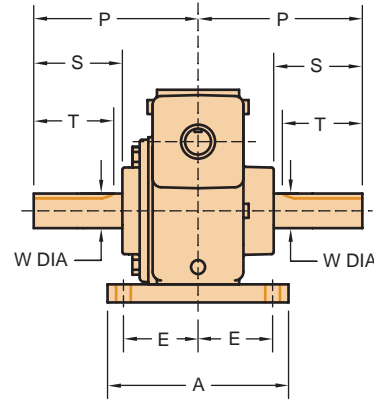
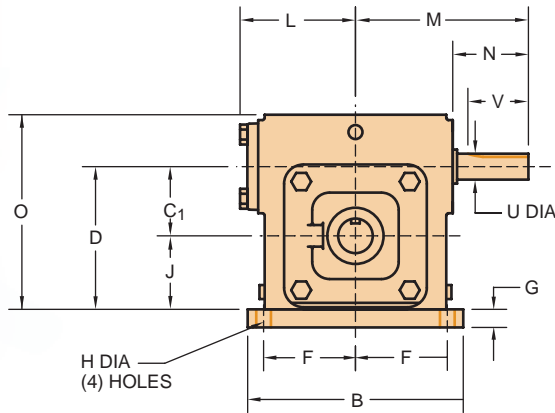
XDTS
Worm-On-Top
Solid Input Shaft
Solid Output Shaft
Base Mount

SHIPPING WEIGHTS (lb.) ♦								
MODEL	E13	E17	E20	E24	E26	E30	E35	E43
XDTS	16	23	25	43	45	60	91	163
MDTS	19	26	28	46	49	66	95	170
CDTS	24	31	33	54	56	72	115	175

All motorized weights are for 48C to 140TC adaptor sizes. Add 10% for 180TC/210TC adaptor sizes.

♦ Weights are approximate and include shipping carton.

DIMENSIONS



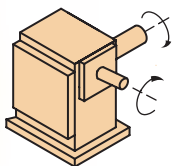
SPEED REDUCER DIMENSIONS (in.)

Size	A	B	C ₁	D	E	F	G	H	J	L	M	O	P	INPUT SHAFT			OUTPUT SHAFT				
														U*	N	V	KEYWAY	W*	S	T	KEYWAY
E13	4.00	5.00	1.333	3.33	1.63	2.13	.25	.281	2.00	2.83	4.13	4.58	4.00	.625	1.81	1.63	3/16x3/32	.750	2.06	1.88	3/16x3/32
E17	4.50	5.50	1.750	4.19	1.75	2.31	.31	.406	2.44	3.44	4.75	5.69	4.75	.750	1.94	1.69	3/16x3/32	1.000	2.56	2.31	1/4x1/8
E20	4.50	5.88	2.000	4.63	1.88	2.50	.50	.406	2.63	3.44	5.00	6.13	4.75	.750	2.19	1.75	3/16x3/32	1.000	2.56	2.31	1/4x1/8
E24	4.50	7.00	2.375	5.63	1.88	3.13	.38	.406	3.25	4.50	6.50	7.63	5.50	1.000	2.75	2.38	1/4x1/8	1.250	2.81	2.63	1/4x1/8
E26	4.50	7.50	2.625	6.13	1.88	3.25	.38	.406	3.50	4.50	6.50	8.25	5.50	1.000	2.75	2.38	1/4x1/8	1.250	2.81	2.63	1/4x1/8
E30	6.00	8.00	3.000	7.00	2.38	3.50	.50	.563	4.00	4.63	7.00	9.50	5.88	1.000	3.06	2.38	1/4x1/8	1.375	2.88	2.75	5/16x5/32
E35	6.50	10.00	3.500	8.00	2.63	4.13	.50	.563	4.50	5.06†	7.38	10.63	7.00	1.000	2.31	2.50	1/4x1/8	1.750	3.75	3.63	3/8x3/16
E43	7.00	11.00	4.250	9.25	2.88	4.88	.63	.563	5.00	5.88‡	8.19	12.13	8.00	1.250	2.31	2.50	1/4x1/8	2.000	4.38	4.19	1/2x1/4

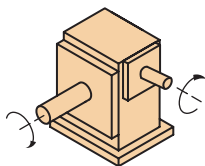
*Shaft diameter tolerances +.000-.001 Dimensions shown are for construction purposes only. Please contact Winsmith for certified dimension sheets.

† L dimension equals 5.46 on E35 MDTS model ‡ L dimension equals 6.28 on E43 MDTS model

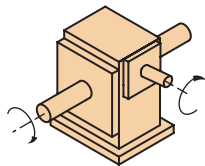
AVAILABLE SHAFT ARRANGEMENTS AND RELATIVE SHAFT ROTATIONS



ASSEMBLY R



ASSEMBLY L



ASSEMBLY LR

The input shaft may be driven in either direction.

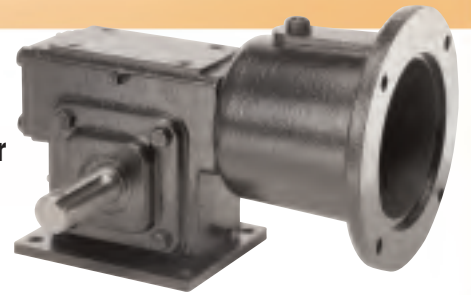


MDTS - CDTs Single Reduction Models

MDTS
Worm-On-Top
Quill Input Adaptor
Solid Output Shaft
Base Mount

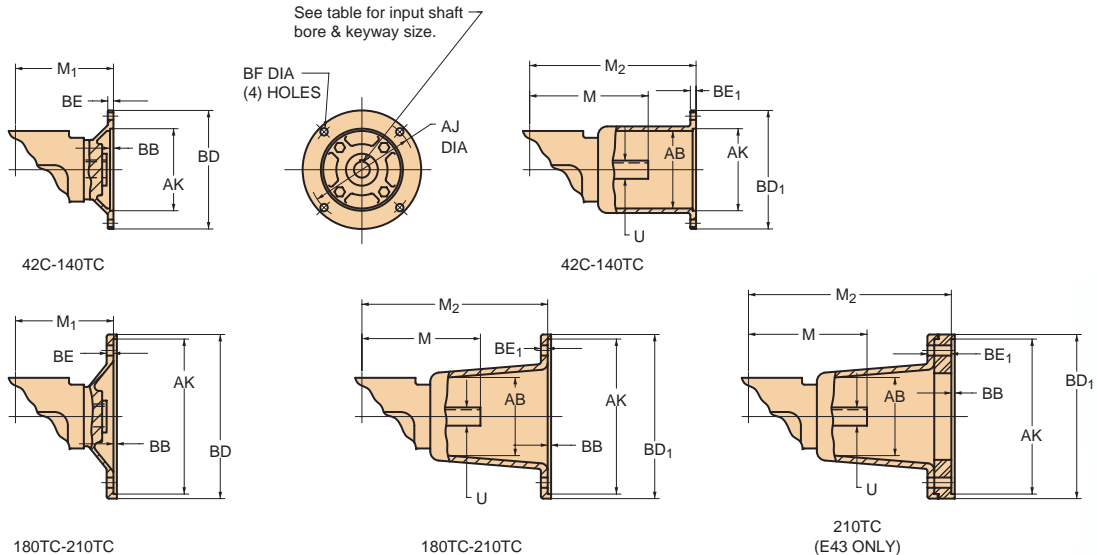


CDTS
Worm-On-Top
Coupled Input Adaptor
Solid Output Shaft
Base Mount



Couplings available, see page 106 for selection chart.

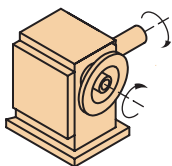
DIMENSIONS



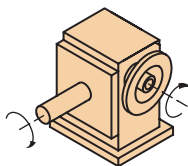
Size	QUILL INPUT ADAPTOR				COUPLED INPUT ADAPTOR														
	M ₁ 42C-48C	M ₁ 56C-140TC	M ₁ 180TC	M ₁ 210TC	42C-48C			56C-140TC			180TC			210TC			M	U	KEYWAY
					AB	M ₂	BE ₁	AB	M ₂	BE ₁	AB	M ₂	BE ₁	AB	M ₂	BE ₁			
E13	3.56	3.63*	NA	NA	2.50	6.81	.38	3.00	6.75	.31	NA			4.13	.625	3/16x3/32			
E17	4.06	4.06	NA	NA	2.50	7.56	.38	3.75	7.50	.38	3.75	8.44	.50	4.75	.750	3/16x3/32			
E20	4.06	4.06	NA	NA	2.50	7.56	.38	3.75	7.50	.38	3.75	8.44	.50	5.00	.750	3/16x3/32			
E24	NA	5.38	5.38	NA	NA			4.13	9.13	.38	4.25	10.19	.50	6.50	1.000	1/4x1/8			
E26	NA	5.38	5.38	NA	NA			4.13	9.13	.38	4.25	10.19	.50	6.50	1.000	1/4x1/8			
E30	NA	5.56	5.56	NA	NA			4.13	9.75	.38	4.75	10.88	.50	7.00	1.000	1/4x1/8			
E35	NA	5.81	5.81	NA	NA			4.13	10.00	.38	4.75	11.13	.50	7.38	1.000	1/4x1/8			
E43	NA	6.63	6.63	6.63	NA			4.13	10.81	.38	4.75	11.94	.50	8.19	1.250	1/4x1/8			

*56C adaptor only

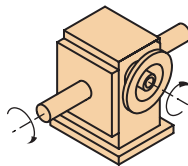
AVAILABLE SHAFT ARRANGEMENTS AND RELATIVE SHAFT ROTATIONS



ASSEMBLY R



ASSEMBLY L



ASSEMBLY LR

The input shaft may be driven in either direction.

INPUT ADAPT. DIM.	42C 48C	56C	140TC	180TC	210TC
AJ	3.75	5.88	5.88	7.25	7.25
AK	3.00	4.50	4.50	8.50	8.50
BB	.19	.19	.19	.19	.19
BD	4.50	6.50	6.50	9.00	9.00
BD ₁	4.50	6.63	6.63	9.00	9.00
BE	.34	.31	.31	.38	.38
BF	.281	.406	.406	.531	.531
KEYWAY	1/8 x 1/16	3/16 x 3/32		1/4 x 1/8	5/16 x 5/32
BORE	^{+0.01} -.000	.5005*	.6255	.8755	1.1255

*42C adaptor has .3755 bore, 3/32 x 3/64 keyway



2D DRAWINGS & 3D MODELS
www.WINSMITH.com

