

505L low pulse, high accuracy dispensing pumphead

500 series

Watson-Marlow Pumps

FEATURES AND BENEFITS

- 0.5% dosing accuracy
- Flow rates up to 4.375 L/min (69.35 USGPH) at 350rpm
- Virtually pulse-free flow
- Twin tubes with offset, spring-loaded tracks
- Uses "Double-Y" Marprene or Pumpsil tubing elements
- 505L pumphead has low inertia stainless steel rollers and twin offset tracks to provide smoothed flows using double tube elements or two individual tubes up to 9.6mm bore with 2.4mm wall thickness. Accepts 505LX extension pumphead to double flow. For use with two individual tubes an additional 505LTC tube clamp set is required



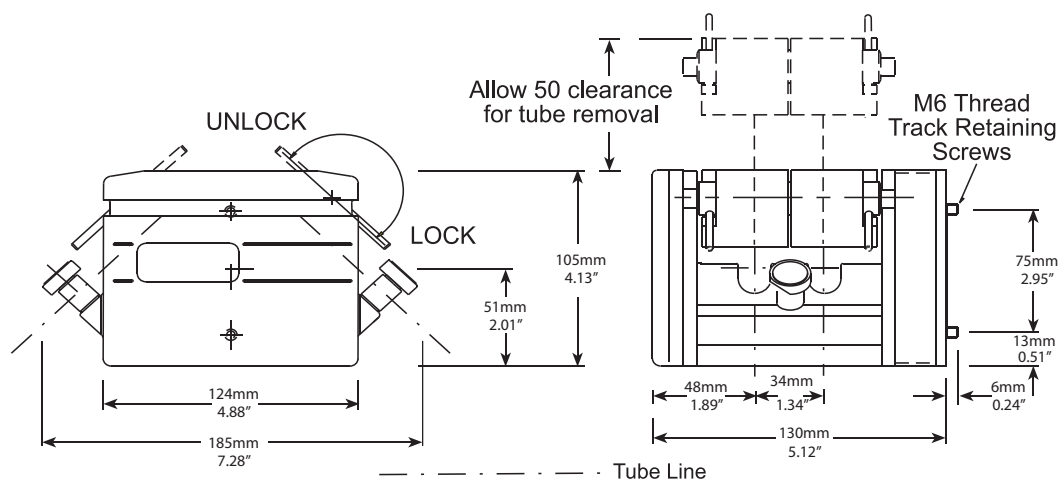
Watson-Marlow...Innovation in Full Flow

TECHNICAL DATA

				Tube bore and flow rates (ml/min)					
Min	Max	Ratio	Speed rpm	1.6mm	3.2mm	4.8mm	6.4mm	8.0mm	9.6mm*
0.1	220	2200:1	0.1-220	0.04-95	0.23-500	0.42-930	0.70-1500	0.90-2000	1.3-2800
0.1	350	3500:1	0.1-350	0.04-150	0.23-800	0.42-1500	0.70-2500	0.90-3200	1.3-4375*

*9.6mm bore through pumphead and to delivery; 12.7mm bore to source, using 913.AH96.K24

DIMENSIONS



TECHNICAL SPECIFICATION

MATERIALS OF CONSTRUCTION

520SN, 520UN, 520DuN	
Weight	2.5Kg (5lb 8oz)
Dimensions	505L H105 x W180 x L135 505LX H105 x W180 x L105

Component	Material
Track	Aluminium
Rotor	Aluminium
Rollers	Stainless steel
Springs, spindles	Stainless steel
Roller bearings	Carbon steel
Cradle	Aluminium alloy

ORDER INFORMATION

Pump and pumphead product codes		
Description	Description	Partcode
505L	only pumphead for 2.4mm wall tube	053.4001.000
505LX	extension pumphead only for 2.4mm wall tube	053.4011.020
505LG	pumphead only for STA-PURE for 2.4mm wall tube	053.4010.00G
505LTC	Tube clamp set	059.4001.000

Tube ordering codes - Double 'Y' tubing elements					
Tube bore (mm)	Marprene	STA-PURE PFL®	STA-PURE PCS®	Pumpsil	Bioprene
1.6 / 2.4	902.E016.K24	960.E016.K24	965.E016.K24	913.AE16.K24	933.E016.K24
3.2 / 2.4	902.E032.K24	960.E032.K24	965.E032.K24	913.AE32.K24	933.E032.K24
4.8 / 2.4	902.E048.K24	960.E048.K24	965.E048.K24	913.AE48.K24	933.E048.K24
6.4 / 2.4	902.E064.K24	960.E064.K24	965.E064.K24	913.AE64.K24	933.E064.K24
8.0 / 2.4	902.E080.K24	960.E080.K24	965.E080.K24	913.AE80.K24	933.E080.K24
9.6 / 2.4	902.E096.K24			913.AE96.K24	933.E096.K24
				high flow 913.AH96.K24	933.E016.K24
Transmission tube					
Tube bore (mm)	Marprene	Pumpsil			
1.6 / 2.4	902.0016.024	913.A016.024			
3.2 / 2.4	902.0032.024	913.A032.024			
4.8 / 2.4	902.0048.024	913.A048.024			
6.4 / 2.4	902.0064.024	913.A064.024			
8.0 / 2.4	902.0080.024	913.A080.024			
9.6 / 2.4	902.0096.024	913.A096.024			

STA-PURE PFL® and STA-PURE PCS® is a registered trademark of W.L Gore & Associates Inc. Please state the product code when ordering pumps and tubing.

All flow rates shown were obtained pumping water at 20C (68F) with zero suction and delivery heads. Watson-Marlow, Bioprene and Marprene are trademarks of Watson-Marlow Limited. Disclaimer: The information contained in this document is believed to be correct but Watson-Marlow Limited accepts no liability for any errors it contains, and reserves the right to alter specifications without notice. LoadSure is a trademark of Watson-Marlow Limited. © STA-PURE PFL and © STA-PURE PCS are registered trademarks of W.L Gore & Associates Inc. Please state the product code when ordering pumps and tubing.

**WATSON
MARLOW
Pumps**

wmftg.com
info@wmftg.com
+44 (0) 1326 370370