

Compact ejector

SCPSb 2-14 S02 NC

Part no.: 10.02.02.04376

<https://www.schmalz.com/10.02.02.04376>



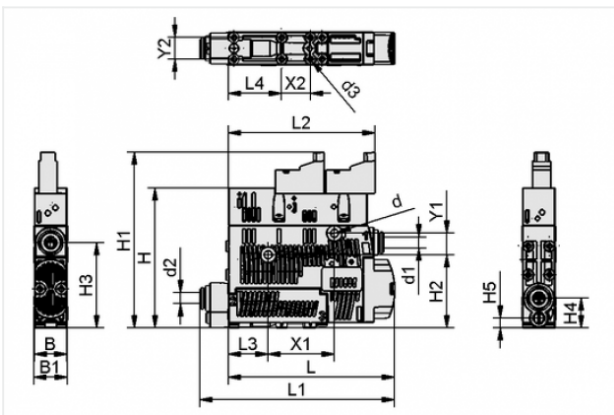
Homepage > Vacuum Technology for Automation > Vacuum Components > Vacuum Generators > Compact Ejectors > Compact Ejectors SCPSb > SCPSb 2-14 S02 NC

Compact ejector



Nozzle size: 2-1,4 mm
 Connection: Hose D6(1)-D8(2)
 Suction rate (max): 71.5 l/min
 Air consumption (during evac.):
 82 l/min
 Vacuum (max): -850 mbar
 Control: Normally closed

Design Data



Attribute	Value
B	18 mm
B1	18.6 mm
d	4.4 mm
d1	6 mm
d2	8 mm
d3	2.6 mm
H	77.5 mm
H1	97 mm
H2	40.8 mm
H3	47.5 mm
H4	16.5 mm
H5	5.5 mm
L	94 mm

Contact to Schmalz

J. Schmalz GmbH | Johannes-Schmalz-Straße, 72293 Glatten, Deutschland | +49 7443 2403-102 | customercenter@schmalz.de

Attribute	Value
L1	109.5 mm
L2	81.4 mm
L3	22 mm
L4	29.5 mm
X1	36.9 mm
X2	16 mm
Y1	12 mm
Y2	12 mm

Technical Data

Attribute	Value
Nozzle size	2-1,4 mm
Degree of evacuation	85 %
Suction rate (max)	4.4 m ³ /h
Suction rate (max)	71.5 l/min
Air consumption (during evac.)	5.04 m ³ /h
Air consumption (during evac.)	82 l/min
Air consumption (blow off)	7.25 m ³ /h
Air consumption (blow off) (max)	118 l/min
Noise level (free)	75 dB
Noise level (workp. gripped)	65 dB
Pressure range (operating pressure)	2.0 ... 6.0 bar
Int. hose diameter (recom.) comp.-air	4 mm
Int. hose diameter (recom.) vacuum side	6 mm
Weight	0.165 kg

Contact to Schmalz

Attribute	Value
Ambient temperature	0 ... 50 °C
Product family	SCPSb

Accessories



ASK B-MIC10 3000 K-2P

Part no. 21.04.06.00086

Connection cable

Interface Connection cable:

Connect. 10mm

Cable length: 3000 mm

Interface Connection cable: Cable 2

Material: PUR-Cable



HUT-SN-KL 70x18x8

Part no. 10.02.02.04149

Top-hat rail clamp comp.

Length L: 70 mm

Width B: 18 mm

Height H: 8 mm

Section type: EN 50022



VFI CN6/4 50

Part no. 10.07.01.00241

Vacuum filter with replaceable filter cartridge

Connection: Hose 6/4 with Cap nut

Filter pore size: 50 µm



VFI CN8/6 50

Part no. 10.07.01.00245

Vacuum filter with replaceable filter cartridge

Connection: Hose 8/6 with Cap nut

Filter pore size: 50 µm



ABL-SET SCPS zweistufig

Part no. 10.02.02.04667

Exhaust air set

for: Compact ejectors SCPS

Size: zweistufig



UMR-SET SCPSb

Part no. 10.02.02.04848

Conversion kit

for: Compact ejectors SCPSb