

Variable Area Flowmeter, Plastic

Construction

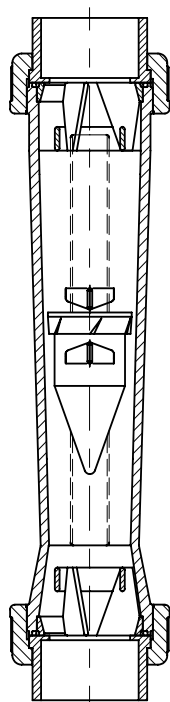
The flowmeter operates according to the variable area principle. Metering tubes are available in PA transparent or Polysulphone suitable for inert or corrosive* media (PVC-U and PVDF tubes on request). Male threads moulded onto the ends of the metering tube allow for easy mounting of unions. O-ring seals at the faces of the tube ensure reliable sealing between metering tube and union and provide stress-free sealing. The floats are available in stainless steel 1.4571, PVC-U, PP or PVDF (depending on working medium and measuring range). The scale on the metering tube can be suited to the medium and is available e.g. in l/h, m³/h or %. Dovetail sections moulded onto the metering tube allow for easy mounting of adjustable visual flow indicators, limit switches and a continuous readout transmitter.

Advantages

- Good level of accuracy, simple operation
- Corrosion resistant
- Over 500 standard scales and 13.000 special scales are available with further scales on request
- High flow rates with guided version
- Clear and large size printed scale

* see information on working medium on page 2

Sectional drawing



GEMÜ® 800

801,805,806,807,811,815,816,817,
820,822,825,830,831,832,835

Technical data

Working medium

Corrosive and inert gaseous and liquid media which have no negative impact on the physical and chemical properties of the metering tube, float, seal and union materials.

Operating pressure*

Metering tubes with plastic unions	max. 10 bar
Metering tubes with metal unions	max. 15 bar

*Operating pressure dependent on tube material and operating temperature

Accuracy class

4 acc. to VDE/VDI 3513, sheet 2, i.e. $\pm 1\%$ of end value and $\pm 3\%$ of measured value.

Version

Type	Working medium	Float material
801	Liquids and gases	PVC-U, red
811 / 831	Liquids and gases	PVC-U, red (with magnet)
805	Liquids and gases	PP, black
815	Liquids and gases	PP, black (with magnet)
806	Liquids and gases	Stainless steel 1.4571, guided
816	Liquids and gases	Stainless steel 1.4571, guided (with magnet)
807	Liquids and gases	Stainless steel 1.4571
817	Liquids and gases	Stainless steel 1.4571 (with magnet)
825	Gases	PP, black
835	Liquids and gases	PP, black (with magnet)
820 / 822	Liquids and gases	PVDF, white
830 / 832	Liquids and gases	PVDF, white (with magnet)

Pressure / temperature correlation - Variable area flowmeter

Tube material	Union material	Code	Temperature in °C																
			-20	-10	±0	5	10	20	25	30	40	50	60	70	80	90	100	110	120
PA transparent code 21	PVC-U	1	-	-	-	10	10	10	10	8.0	6	3.5	1.5	-	-	-	-	-	-
	PP	5	-	-	-	10	10	10	10	8.5	7	5.5	4.0	-	-	-	-	-	-
	PVDF	20	10	10	10	10	10	10	10	9.0	8	7.1	6.3	-	-	-	-	-	-
	Malleable iron	6	15	15	15	15	15	15	15	13.5	12	10.7	9.5	-	-	-	-	-	-
	Stainless steel	7, 41	15	15	15	15	15	15	15	13.5	12	10.7	9.5	-	-	-	-	-	-
Poly-sulphone code 22	PVC-U	1	-	-	-	10	10	10	10	8.0	6	3.5	1.5	-	-	-	-	-	-
	PP	5	-	-	-	10	10	10	10	8.5	7	5.5	4.0	2.7	1.5	0.8	-	-	-
	PVDF	20	-	-	-	10	10	10	10	9.0	8	7.1	6.3	5.4	4.7	3.6	2.5	-	-
	Malleable iron	6	-	-	-	15	15	15	15	14.0	13	12.0	11.0	9.7	8.5	7.7	6.0	-	-
	Stainless steel	7, 41	-	-	-	15	15	15	15	14.0	13	12.0	11.0	9.7	8.5	7.7	6.0	-	-
PVC-U, transparent code 3	PVC-U	1	-	-	-	10	10	10	10	8.0	6	3.5	-	-	-	-	-	-	-
	Malleable iron	6	-	-	-	10	10	10	10	8.0	6	3.5	-	-	-	-	-	-	-
	Stainless steel	7, 41	-	-	-	10	10	10	10	8.0	6	3.5	-	-	-	-	-	-	-
	Stainless steel/PP	1V	-	-	-	10	10	10	10	8.0	6	3.5	-	-	-	-	-	-	-
PVDF code 20	PVDF	20	10	10	10	10	10	10	10	9.0	8	7.1	6.3	5.4	4.7	3.6	2.5	1.7	1.2
	Stainless steel	7, 41	10	10	10	10	10	10	10	9.0	8	7.1	6.3	5.4	4.7	3.6	2.5	1.7	1.2
	Stainless steel/PVDF	2V	10	10	10	10	10	10	10	9.0	8	7.1	6.3	5.4	4.7	3.6	2.5	1.7	1.2

* with K-No. 1123 (Float stoppers PVDF)

Pressure loss on the float [mbar]

Type	Nominal size					
	DN 20	DN 25	DN 32	DN 40	DN 50	DN 65
801, 805, 811, 815	8	10.0	13.0	15	20.0	24
806, 816	-	-	-	-	-	47
807, 817	17	19.0	27.0	30	41.0	50
820, 830	8	10.0	13.0	15	20.0	-
822, 832	-	-	-	-	26.5	-
825	2	2.5	3.5	4	5.5	6
831, 835	11	13.0	18.0	20	28.0	34

Medium: Water, 20 °C

Order data

1 Version	
Float material	Type
PVC-U, red	801
PVC-U, red (with magnet)	811 / 831
PP, black	805
PP, black (with magnet)	815
Stainless steel 1.4571, guided	806
Stainless steel 1.4571 (with magnet), guided	816
Stainless steel 1.4571	807
Stainless steel 1.4571 (with magnet)	817
PP, black (only gases)	825
PP, black (with magnet)	835
PVDF, white	820 / 822
PVDF, white (with magnet)	830 / 832

2 RoHS compliance	Code
RoHS compliant	R

3 Nominal size	Code
Type	DN
801, 805, 807, 811, 815, 817, 820, 825, 830, 831, 835	20
801, 805, 807, 811, 815, 817, 820, 825, 830, 831, 835	25
801, 805, 807, 811, 815, 817, 820, 825, 830, 831, 835	32
801, 805, 807, 811, 815, 817, 820, 825, 830, 831, 835	40
801, 805, 807, 811, 815, 817, 820, 822, 825, 830, 831, 832, 835	50
801, 805, 806, 807, 811, 815, 816, 817, 825, 831, 835	65

4 Body configuration	Code
Straight through	D

5 Connection	Code
Union ends with DIN insert (socket)	7
Union ends with inch insert (socket)	33
Union ends with DIN insert (butt welding)	71
Union ends with DIN insert (IR butt welding)	78
Union ends with insert (threaded socket Rp)	7R
Spigots DIN	0
Spigots DIN 11850, series 1	16
Spigots DIN 11850, series 2	17
Spigots DIN 11850, series 3	18
Spigots SMS 3008	37
Spigots ASME BPE	59
Spigots EN ISO 1127	60
Flanged connection on request	

6 Tube material	Code
PVC-U on request	3
PVDF (see datasheet 800 HP)	20
PA transparent temperature range 0 to 60°C*	21
Polysulphone temperature range 0 to 100°C*	22

* Stated temperatures are valid for water

7 Seal material	Code
O-ring FPM	4
O-ring EPDM	14
O-ring FEP encapsulated	55

8 Union material	Code
Insert PVC-U, union nut PP	1
Insert PP, union nut PP	5
Malleable iron	6
Insert 1.4404 (threaded socket Rp) union nut stainless steel	7
Insert PVDF, union nut PVDF	20
Insert 1.4435 (butt weld spigot) union nut stainless steel	41
Insert 1.4435 (butt weld spigot) or Insert 1.4404 (threaded socket Rp), union nut PP	1V
Insert 1.4435 (butt weld spigot) or Insert 1.4404 (threaded socket Rp), union nut PVDF	2V

* Other materials on request

9 Tube size	Code
See tables on pages 4 and 5	

10 Measuring range	Code
See tables on pages 4 and 5	
Always state the maximum measuring range value when ordering.	

Note:

The scale divisions given on pages 4 and 5 correspond to the actual flows.
When ordering, the flow ranges should be stated as follows:
Liquid media: l/h
Gaseous media: Nm³/h

Ordering information:

The following data are necessary:

1. Type of medium
2. Concentration of medium (%)
3. Required flow range (l/h, m³/h, kg/h)
4. Operating pressure, relative or absolute (bar)
5. Temperature of medium (°C)
6. Viscosity of medium
7. Medium density
8. Float with or without magnet

Order example	1	2	3	4	5	6	7	8	9	10
Code	805	R	25	D	7	21	14	1	52	250

Selection of scales - liquid media [l/h]

Type	Nominal size	Water H ₂ O	Hydrochloric acid HCl 30-33%	Sodium hydroxide NaOH 30%	Sodium hydroxide NaOH 50%	Scale	Tube size	Weight		
		Tube						%	Union	
		PA transp./ Polysulphone	Polysulphone	PA transparent / Polysulphone		PVC-U			Malleable iron	
	DN	l/h					Code	[kg]		
801/811 Float material PVC-U (GEMÜ 811 with magnet)	20	15 - 160	10 - 130	2.5 - 57.5	0.5 - 10.0	10 - 100	46	0.42	0.53	
		20 - 250	20 - 210	5.0 - 115.0	1.0 - 23.0		47	0.42	0.53	
		40 - 400	40 - 340	10.0 - 210.0	2.5 - 57.5		48	0.42	0.53	
		50 - 650	50 - 550	20.0 - 380.0	5.0 - 135.0		49	0.41	0.52	
	25	20 - 250	20 - 210	5 - 125	1.0 - 20	10 - 100	52	0.57	0.74	
		40 - 400	20 - 350	10 - 200	2.5 - 50		53	0.56	0.73	
		60 - 640	50 - 550	10 - 390	5.0 - 130		54	0.55	0.72	
		100 - 1000	75 - 900	25 - 650	10.0 - 260		55	0.54	0.71	
	32	100 - 1000	75 - 900	25 - 600	10 - 200	10 - 100	61	0.98	1.25	
		150 - 1600	100 - 1500	50 - 1100	20 - 500		62	0.96	1.23	
		200 - 2500	200 - 2300	100 - 1700	25 - 950		63	0.94	1.21	
		150 - 1600	100 - 1450	50 - 1000	25 - 425		67	1.24	1.56	
	40	200 - 2500	200 - 2200	100 - 1700	25 - 900	10 - 100	68	1.21	1.52	
		300 - 3300	300 - 2800	100 - 2100	50 - 1250		69	1.20	1.52	
		-*	200 - 2300	50 - 1700	25 - 800		71	1.52	2.39	
50	-*	300 - 3600	100 - 2800	50 - 1600	10 - 100	72	1.49	2.36		
	-*	500 - 6000	250 - 5000	100 - 3200		73	1.44	2.31		
	-*									
820/830 Float material PVDF (GEMÜ 830 with magnet)	20	15 - 160	10 - 130	-	-	10 - 100	46	0.42	0.53	
		20 - 250	20 - 210	-	-		47	0.42	0.53	
		40 - 400	40 - 340	-	-		48	0.42	0.53	
		50 - 650	50 - 550	-	-		49	0.41	0.52	
	25	20 - 250	20 - 210	-	-	10 - 100	52	0.57	0.74	
		40 - 400	20 - 350	-	-		53	0.56	0.73	
		60 - 640	50 - 550	-	-		54	0.55	0.72	
		100 - 1000	75 - 900	-	-		55	0.54	0.71	
	32	100 - 1000	75 - 900	-	-	10 - 100	61	0.98	1.25	
		150 - 1600	100 - 1500	-	-		62	0.96	1.23	
		200 - 2500	200 - 2300	-	-		63	0.94	1.21	
		150 - 1600	100 - 1450	-	-		67	1.24	1.56	
	40	200 - 2500	200 - 2200	-	-	10 - 100	68	1.21	1.52	
		300 - 3300	300 - 2800	-	-		69	1.20	1.52	
		-*	200 - 2300	-	-		71	1.52	2.39	
50	-*	300 - 3600	-	-	10 - 100	72	1.49	2.36		
	-*	500 - 6000	-	-		73	1.44	2.31		
	-*									
807/817 Float material 1.4571 (GEMÜ 817 with magnet)	20	20 - 250	-	5 - 125	1 - 27	10 - 100	46	0.45	0.56	
		40 - 400	-	10 - 240	2.5 - 70		47	0.45	0.56	
		60 - 640	-	25 - 425	5 - 170		48	0.45	0.56	
		75 - 1000	-	25 - 725	10 - 350		49	0.44	0.55	
	25	40 - 400	-	10 - 240	2.5 - 65	10 - 100	52	0.62	0.79	
		60 - 640	-	20 - 420	5.0 - 145		53	0.61	0.78	
		100 - 1000	-	25 - 700	10.0 - 330		54	0.60	0.77	
		150 - 1600	-	50 - 1200	25.0 - 675		55	0.59	0.76	
	32	150 - 1600	-	50 - 1150	25 - 550	10 - 100	61	1.11	1.38	
		200 - 2500	-	100 - 1900	50 - 1100		62	1.09	1.36	
		400 - 4000	-	200 - 3200	100 - 2000		63	1.07	1.34	
	40	200 - 2500	-	100 - 1700	50 - 1000	10 - 100	67	1.42	1.74	
		400 - 4000	-	200 - 3000	50 - 1900		68	1.39	1.71	
		500 - 5000	-	200 - 3700	100 - 2500		69	1.38	1.70	
	50	-*	-	100 - 3000	50 - 1800	10 - 100	71	2.00	2.87	
-*		-	250 - 5000	100 - 3300	72		1.97	2.84		
-*		-	500 - 8500	250 - 6000	73		1.92	2.79		

* see table unit [m³/h]

Selection of scales - liquid media [m³/h]

Type	Nominal size	Water H ₂ O	Hydrochloric acid HCl 30-33%	Sodium hydroxide NaOH 30%	Sodium hydroxide NaOH 50%	Scale	Tube size	Weight		
		Tube						PVC-U	Union	
		PA transp./ Polysulphone	Polysulphone	PA transparent / Polysulphone		Malleable iron				
	DN	[m ³ /h]				%	Code	[kg]		
801/811 Float material PVC-U (GEMÜ 811 with magnet)	50	0.2 - 2.5	-*	-*	-*	10 - 100	71	1.52	2.39	
		0.4 - 4.0	-*	-*	-*		72	1.49	2.36	
		0.6 - 6.4	-*	-*	-*		73	1.44	2.31	
805/815 Float material PP (GEMÜ 815 with magnet)	65	0.75 - 9.0	0.75 - 8.0	0.5 - 6.75	0.25 - 4.25	10 - 100	75	2.42	3.87	
		1.5 - 13.0	1.5 - 11.5	0.75 - 9.75	0.25 - 6.75		77	2.42	3.87	
820/830 Float material PVDF (GEMÜ 830 with magnet)	50	0.2 - 2.5	-*	-	-	10 - 100	71	1.52	2.39	
		0.4 - 4.0	-*	-	-		72	1.49	2.36	
		0.6 - 6.4	-*	-	-		73	1.44	2.31	
822/832 Float material PVDF (GEMÜ 832 with magnet)	50	1.5 - 11.0	-	-	-	10 - 100	73	1.44	2.31	
807/817 Float material 1.4571 (GEMÜ 817 with magnet)	50	0.4 - 4.0	-	-*	-*	10 - 100	71	2.00	2.87	
		0.6 - 6.4	-	-*	-*		72	1.97	2.84	
		1.0 - 10.0	-	-*	-*		73	1.92	2.79	
	65	1.5 - 14.0	-	1.0 - 11.5	0.25 - 8.5	10 - 100	75	3.31	4.60	
2.0 - 20.0	-	1.5 - 16.5	0.5 - 12.5	77	3.31		4.60			
806/816 Float material 1.4571 (GEMÜ 816 with magnet) (guided version)	65	10 - 24	-	-	-	10 - 100	75	3.31	4.60	
		10 - 33	-	-	-		77	3.31	4.60	

* see table unit [l/h]

Selection of scales (gaseous media)

Type	Nominal size	Medium air At 1 bar abs. and 20°C PA transp.. Polysulphone	Tube size	Weight	
				Union	
				PVC-U	Malleable iron
DN	Nm ³ /h	Code	[kg]		
825 Float material PP (without magnet)	20	0.20 - 2.5	46	0.40	0.51
		0.30 - 4.0	47	0.40	0.51
		0.50 - 6.5	48	0.40	0.51
		0.75 - 10.0	49	0.39	0.50
	25	0.4 - 4.0	52	0.54	0.71
		0.5 - 6.5	53	0.53	0.70
		1.0 - 10.0	54	0.52	0.69
		1.5 - 16.0	55	0.51	0.68
	32	1.5 - 16.0	61	0.88	1.15
		2.0 - 25.0	62	0.86	1.13
		4.0 - 40.0	63	0.84	1.11
	40	2 - 25	67	1.10	1.42
		4 - 40	68	1.07	1.39
		5 - 50	69	1.06	1.38
	50	4 - 40	71	1.17	2.04
		6 - 64	72	1.14	2.01
10 - 100		73	1.09	1.95	
65	15 - 140	75	3.31	4.60	
	20 - 200	77	3.31	4.60	
831 Float material PVC-U (with magnet)	20	0.75 - 6.5	46	0.43	0.54
		1.00 - 10.0	47	0.43	0.54
		1.50 - 16.0	48	0.43	0.54
		2.00 - 25.0	49	0.43	0.53
835 Float material PP (with magnet)	25	1.25 - 10	52	0.59	0.76
		1.50 - 16	53	0.58	0.75
		3.00 - 25	54	0.57	0.74
		4.00 - 40	55	0.55	0.73
	32	4 - 40	61	1.03	1.30
		6 - 64	62	1.01	1.28
		10 - 100	63	0.99	1.25
	40	5 - 60	67	1.30	1.62
		10 - 100	68	1.27	1.59
		15 - 120	69	1.26	1.58
	50	10 - 100	71	1.69	2.57
		15 - 160	72	1.66	2.54
20 - 250		73	1.61	2.49	
65	30 - 340	75	3.31	4.60	
	50 - 450	77	3.31	4.60	

To types 825/835:

Caution! With gaseous media the scaling alters according to operating pressure. Please state when ordering.

Special scales:

For other media and operating requirements differing from those given for standard versions. special scales are available. Please note the ordering information (see page 3).

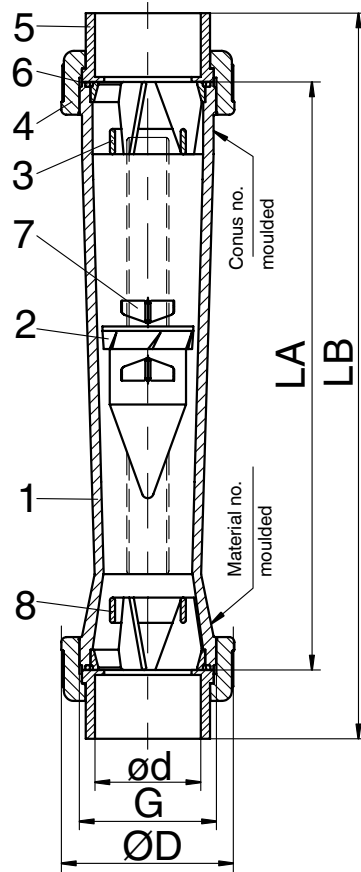
Note

All scales in this data sheet are based on a medium temperature of 20° C.

For smaller or larger flow ranges see data sheets GEMÜ 840, 850.

Messrohre aus PVC-U und PVDF auf Anfrage Tubes in PVC-U and PVDF on request

Dimensions [mm]

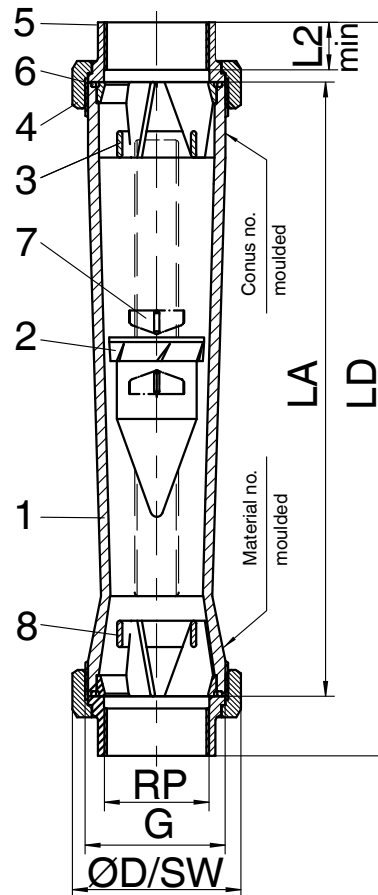


Item	Designation	Pieces
1	Tube	1
2	Float	1
3	Upper float stop	1
4	Union nut	2
5	Union	2
6	O-ring (see table)	2
7	Flow indicator	2
8	Lower float stop	1

Plastic union											
Connection code				øD	7			NPS	33		
DN	G	LA	O-ring		ød	LB			ød	LB	
Union material code						1	5	20		1	
20	G 1 1/4	350	28.0 x 3.5	53	25	394	388	392	3/4"	26.8	394
25	G 1 1/2	350	33.0 x 3.5	60	32	400	392	396	1"	33.6	400
32	G 2	350	46.0 x 3.5	74	40	408	397	400	1 1/4"	42.3	408
40	G 2 1/4	350	50.4 x 3.5	83	50	418	403	406	1 1/2"	48.3	418
50	G 2 3/4	350	68.0 x 3.5	103	63	432	411	414	2"	60.4	432
65	G 3 1/2	350	85.0 x 4.0	122	-	444	420	420	2 1/2"	75.0	444

Tube material PVDF = LA/LB -7 mm

Dimensions [mm]



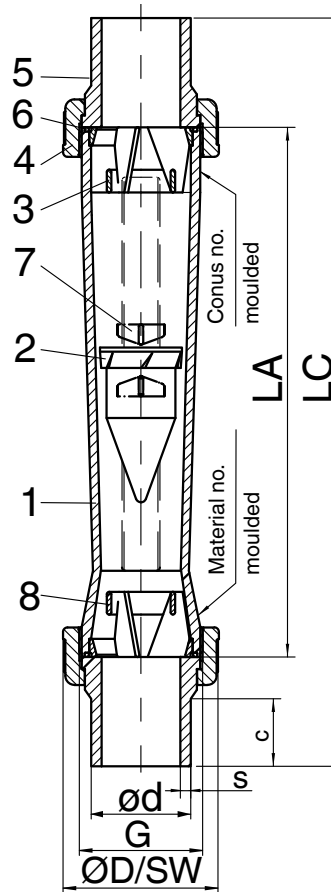
Item	Designation	Pieces
1	Tube	1
2	Float	1
3	Upper float stop	1
4	Union nut	2
5	Union	2
6	O-ring (see table)	2
7	Flow indicator	2
8	Lower float stop	1

Metal and plastic union

Connection code				7R						
DN	G	LA	O-Ring	ød	SW	Rp	L2 min	LD		
Union material code				1	6, 7	1, 6, 7		1	6	7
20	G 1 1/4	350	28.0 x 3.5	53	50	Rp 3/4	16.3	394	394	404
25	G 1 1/2	350	33.0 x 3.5	60	55	Rp 1	19.1	400	402	406
32	G 2	350	46.0 x 3.5	74	66	Rp 1 1/4	21.4	408	412	416
40	G 2 1/4	350	50.4 x 3.5	83	74	Rp 1 1/2	21.4	418	415	418
50	G 2 3/4	350	68.0 x 3.5	103	90	Rp 2	25.7	432	420	430
65	G 3 1/2	350	85.0 x 4.0	122	110	Rp 2 1/2	30.2	-	428	436

Tube material PVDF = LA/LB -7 mm

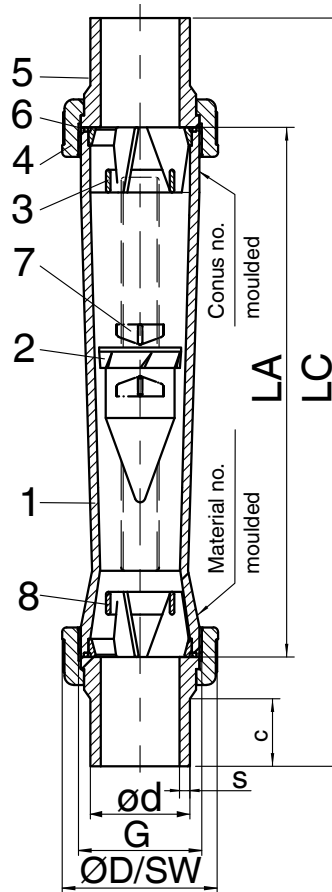
Dimensions [mm]



Designation		
Item	Designation	Pieces
1	Tube	1
2	Float	1
3	Upper float stop	1
4	Union nut	2
5	Union	2
6	O-ring (see table)	2
7	Flow indicator	2
8	Lower float stop	1

Plastic union															
Connection code				øD	ød	s		78				71			
DN	G	LA*	O-ring					c		LC		c		LC	
Union material code				5		20		5	20	5	20	5	20	5	20
20	G 1 1/4	350	28.0 x 3.5	53	25	2.3	1.9	39	462	-	-	-	-	-	-
25	G 1 1/2	350	33.0	60	32	2.9	2.4	40	468	-	-	-	-	-	-
32	G 2	350	46.0	74	40	3.7	2.4	41	474	-	-	-	-	-	-
40	G 2 1/4	350	50.4	83	50	4.6	3.0	43	480	-	-	-	-	-	-
50	G 2 3/4	350	68.0	103	63	5.8	3.0	43	486	-	-	-	-	-	-
65	G 3 1/2	350	85.0	122	75	7.3	3.6	91	-	616	-	16	16	466	466

Dimensions [mm]



Designation

Item	Designation	Pieces
1	Tube	1
2	Float	1
3	Upper float stop	1
4	Union nut	2
5	Union	2
6	O-ring (see table)	2
7	Flow indicator	2
8	Lower float stop	1

Metal union

Connection code				SW	øD	LC	c	0		16		17		18	
DN	G	LA*	O-ring					ød	s	ød	s	ød	s	ød	s
Union material code				41	1V, 2V	41, 1V, 2V									
20	G 1 1/4	350	28.0 x 3.5	50	53	426	34	22	1.5	22	1	23	1.5	24	1.65
25	G 1 1/2	350	33.0 x 3.5	55	60	429	34	28	1.5	28	1	29	1.5	30	1.65
32	G 2	350	46.0 x 3.5	66	74	432	36	34	1.5	34	1	35	1.5	36	1.65
40	G 2 1/4	350	50.4 x 3.5	74	83	432	36	40	1.5	40	1	41	1.5	42	1.65
50	G 2 3/4	350	68.0 x 3.5	90	103	432	36	52	1.5	53	1	53	1.5	54	1.65
65	G 3 1/2	350	85.0 x 4.0	110	122	433	36	-	-	-	-	70	2.0	-	1.65

Connection code				SW	øD	LC	c	37		59		60	
DN	G	LA*	O-ring					ød	s	ød	s	ød	s
Union material code				41	1V, 2V	41, 1V, 2V							
20	G 1 1/4	350	28.0 x 3.5	50	53	426	34	-	-	19.05	1.65	26.9	1.6
25	G 1 1/2	350	33.0 x 3.5	55	60	429	34	25.0	1.2	25.40	1.65	33.7	2.0
32	G 2	350	46.0 x 3.5	66	74	432	36	33.7	1.2	-	-	42.4	2.0
40	G 2 1/4	350	50.4 x 3.5	74	83	432	36	38.0	1.2	38.10	1.65	48.3	2.0
50	G 2 3/4	350	68.0 x 3.5	90	103	432	36	51.0	1.2	50.80	1.65	60.3	2.0
65	G 3 1/2	350	85.0 x 4.0	110	122	433	36	63.5	1.6	63.50	1.65	76.1	2.0

Tube material PVDF = LA/LB -7 mm

Overview GEMÜ 800

Union material code	1			5			6	7, 1V, 2V	20			41, 1V, 2V						
Connection code	7	7R	33	7	71	78	7R	7R	7	71	78	0	16	17	18	37	59	60
DN 20	X	X	X	X	-	X	X	X	X	-	X	X	X	X	X	-	X	X
DN 25	X	X	X	X	-	X	X	X	X	-	X	X	X	X	X	X	X	X
DN 32	X	X	X	X	-	X	X	X	X	-	X	X	X	X	X	X	-	X
DN 40	X	X	X	X	-	X	X	X	X	-	X	X	X	X	X	X	X	X
DN 50	X	X	X	X	-	X	X	X	X	-	X	X	X	X	X	X	X	X
DN 65	X	X	X	X	X	X	X	X	X	X	-	-	-	X	-	X	X	X

Accessories for variable area flowmeter series GEMÜ 800

To increase the versatility of the GEMÜ 800 flowmeter, numerous accessories have been developed which can be retrofitted onto the tube without modification.

The float, however, must be one containing a magnet, in order for these accessories to function.



GEMÜ 1250

Change-over contact
(Switching duty of magnetic switch 10 VA)

GEMÜ 1251

Limit switch (max.)
(Switching duty of magnetic switch 10 VA)

GEMÜ 1252

Limit switch (min.)
(Switching duty of magnetic switch 10 VA)



GEMÜ 1276

Digital display unit
Versions:
With or without switch points.



GEMÜ 1270

Instrument sensor for continuous flow readout (resistance 0 - 10 kΩ).

GEMÜ 1272

Instrument sensor for continuous flow readout via output signal 4-20 mA from an integrated 2-wire measuring transducer

Separate data sheets are available for the above accessories on request.

Other products from our product range:

- Plastic valves, pneumatically, electrically and manually operated.
- Metal valves, pneumatically, electrically and manually operated.

For further flowmeters, accessories and other products, please see our Product Range catalogue and Price List.
Contact GEMÜ.

GEMÜ® VALVES, MEASUREMENT
AND CONTROL SYSTEMS

