

<b>ITEM</b>	<b>1</b>	<b>Your Ref.</b>	G271T1M1-L30AA0
<b>Name</b>	<b>G271T1M1-L30AA0</b>		

Duty	Type of liquid
Required duty	

**EXECUTION**

Submersible pump of heavy and hard construction, dry motor type with interposition of the oil chamber between the hydraulic part and the motor side.

**CONSTRUCTION DATA**

Weight (Kg)	42
Impeller type	Single channel
Free passage (mm)	30
Discharge diameter (mm)	65
Suction (mm)	50
Cooling	By surrounding fluid
Motor type	M271T-1,6-400/50NN-IE3 - (Watertight, suitable for VFD)
Mechanical prot. Degree	IP 68
Rated motor power (kW)	1,6
Rated current (A)	3,1
Starting type	Direct
Supply	3ph 400V-50Hz
Nominal speed (rpm)	2783
Winding insulation	Class H
Duty service	S1 Continuous
Electric cable	N-Neoprene submersible, length 10 m
Shaft seal	Double
Liquid max. temperature (°C)	< 40
Surface painting	Epoxy painting

**MATERIALS**

Diffuser	Cast Iron EN-GJL-250
Shaft	DUPLEX ASTM A890 gr. 4A UNS 31803 SAF 2205
Impeller	Cast Iron EN-GJL-250+Ni
Upper seal	Nitrile Lip Seal
Lower seal	Silicon Carbide/Silicon Carbide
Screws	A4 Class AISI 316
O-Rings	Nitrile
Ball bearings	Ball Bearings, life lubricated

\_\_\_\_\_ **Nr. 1**

Cod. Code <b>7002043</b>	Peso totale Total weight <b>42 Kg</b>	Materiale Construction <b>GHISA EN-GJL-250 CAST IRON EN-GJL-250</b>	Girante Impeller <b>MONOCANALE SINGLE CHANNEL</b>
--------------------------	---------------------------------------	---	---

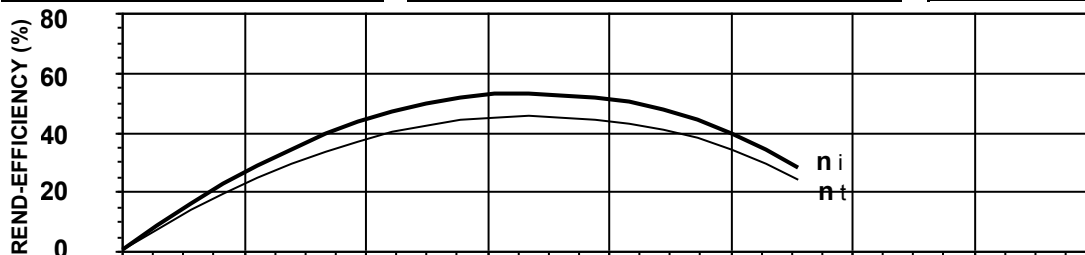
Idraulica - Hydraulic	
MANDATA DISCHARGE	<b>65 mm</b>
ASPIRAZIONE SUCTION	<b>50 mm</b>
PASSAGGIO LIBERO FREE PASSAGE	<b>30 mm</b>
DIAMETRO GIRANTE IMPELLER DIAMETER	<b>135 mm</b>

Motore - Motor M271T-1,6-400/50NN-IE3	
ALIMENTAZIONE POWER SUPPLY	<b>3ph 400V-50Hz</b>
CLASSE DI ISOLAMENTO INSULATION CLASS	<b>H</b>
VELOCITÀ NOMINALE NOMINAL SPEED	<b>2783 rpm</b>
POTENZA NOMINALE MOTORE RATED MOTOR POWER	<b>1,6 kW</b>
CORRENTE DI SPUNTO STARTING CURRENT	<b>15,2 A</b>
CORRENTE NOMINALE RATED CURRENT	<b>3,1 A</b>
MOMENTO DI INERZIA TOTALE TOTAL MOMENT OF INERTIA	<b>0,0053 kgm<sup>2</sup></b>
	CARICO-LOADING
	4/4    3/4    1/2
FATTORE DI POTENZA POWER FACTOR	<b>0,87    0,82    0,70</b>
RENDIMENTO MOTORE MOTOR EFFICIENCY	<b>86 %    84 %    83 %</b>

Impiego - Application	
TEMP. MAX DEL LIQUID PUMPED LIQUID MAX TEMP.	<b>&lt; 40 °C</b>
PROTEZIONE MECCANICA MECHANICAL PROT. DEGREE	<b>IP 68</b>
CAVO CABLE	<b>4G1,5 H07RNF</b>
CODICE DISEGNO DRAWING CODE	<b>707_65_07_1</b>
CURVA CURVE	<b>M707-205</b>

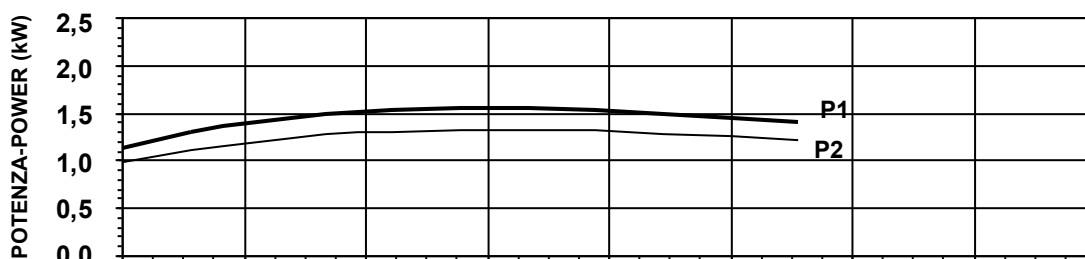
Rend. max - Best efficiency	
RENDIMENTO TOTALE TOTAL EFFICIENCY	<b>45,8 %</b>
RENDIMENTO IDRAULICO HYDRAULIC EFFICIENCY	<b>53,3 %</b>
POT. ASS. DALLA RETE ABS. POWER FROM MAINS	<b>1,5 kW</b>
PREVALENZA HEAD	<b>10,6 m</b>
PORTATA CAPACITY	<b>24,3 m<sup>3</sup>/h</b>

Protezioni - Protections	
PROTEZIONE TERMICA THERMAL PROTECTION	<input type="checkbox"/> NO
CONTROLLO INFILTRAZIONE HUMIDITY PROBE	<input type="checkbox"/> NO
II 2G Ex c k db IIB T4 Gb	<input type="checkbox"/> NO
MANTELLINO DI RAFFREDDAMENTO COOLING JACKET	<input type="checkbox"/> NO



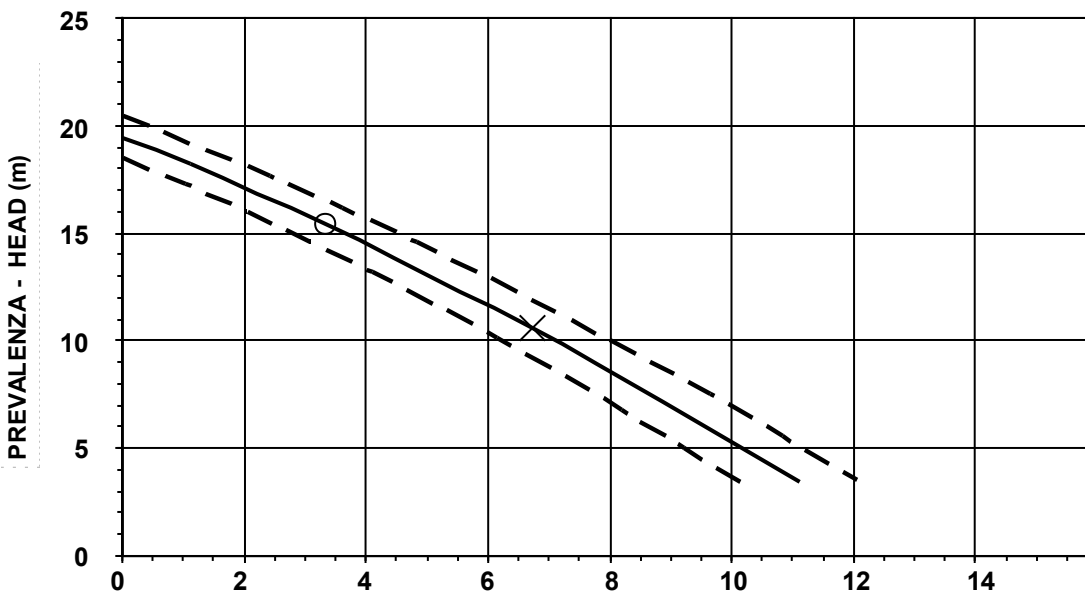
$\eta_i$  = Rendimento idraulico  
Hydraulic efficiency

$\eta_t$  = Rendimento totale  
Total efficiency



**P1** = Potenza ass. dalla rete  
Abs. power from mains

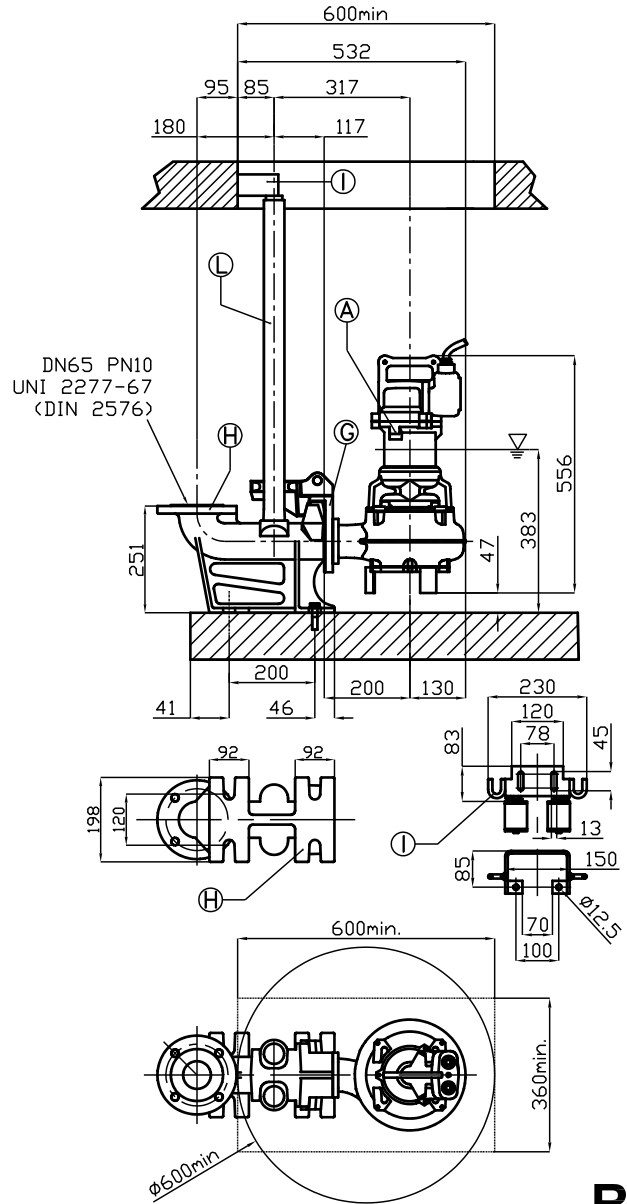
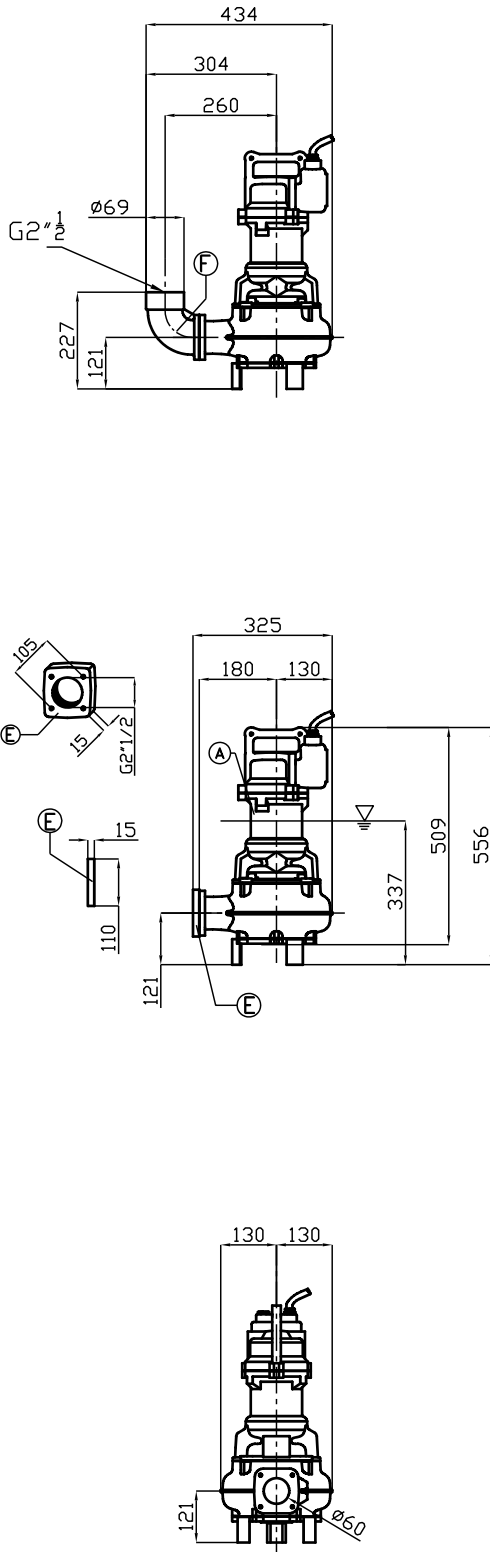
**P2** = Potenza idraulica  
Hydraulic power



O = Portata minima  
Minimum capacity

X = Punto max rendimento  
Best efficiency point





**R**

Pos.	Codice	Descrizione	Materiale	Peso Kg
Pos.	Code	Description	Material	Weight Kg
<b>A</b>	-	Elettropompa Sommersibile Submersible Pump		-
<b>B</b>	54.08254	Guarnizione DN65 Rubber joint DN65	Neoprene Neoprene	0,01
<b>Type: R GPADN65/8</b>				
<b>G</b>	GCADN65/8	Controflangia accoppiamento 2 guide DN65 Double guide rail coupling flange DN65	G250 Ghisa G250 Cast-Iron	4
<b>H</b>	GBPACDN65/8	Piede d'accoppiamento 2 guide DN65 Double guide coupling feet DN65	G250 Ghisa G250 Cast-Iron	19
<b>I</b>	SOP2T	Sopporto tubi superiore 2 guide 2" Double guide rail upper support 2"	Acciaio zincato Galvanized Steel	1,9
<b>L</b>	TG2Z	Tubo guida 2" Guide rail 2"	Acciaio zincato Galvanized Steel	4,5
<b>Type: S</b>				
<b>E</b>	GF2.1/2	Flangetta filettata 2"1/2 Threaded flange 2"1/2	G250 Ghisa G250 Cast-Iron	1
<b>F</b>	GCF2.1/2	Curva filettata 90° 2"1/2 Threaded elbow 90° 2"1/2	G250 Ghisa G250 Cast-Iron	3

▽ LIVELLO MINIMO DI SOMMERGIBILITÀ STANDARD.  
PER VERSIONE ATEX, COMPLETAMENTE SOMMERSA.

▽ MINIMUM SUBMERSIBLE LEVEL STANDARD.  
FOR ATEX TYPE, COMPLETELY SUBMERGED.

**S**