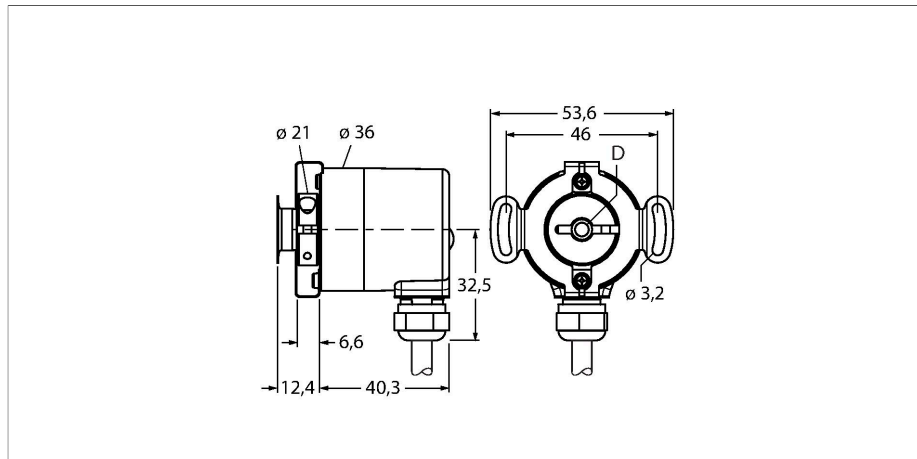


RS-07H6E-8B12B-C 1M

Absolute Rotary Encoder - Single-Turn

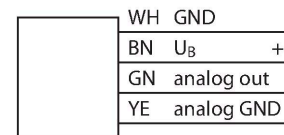
Industrial Line



Features

- Flange with stator coupling, Ø 36 mm
- Hollow shaft, Ø 6 mm
- Magnetic measuring principle
- Shaft material: stainless steel
- Protection class IP69K on shaft side
- -40...+85 °C
- Max. 6000 rpm
- 15...30 VDC
- Analog output 0...10 V
- Cable connection
- 360° resolved in 12 bit (4096 positions)

Wiring diagram



Technical data

Type	RS-07H6E-8B12B-C 1M
Ident. no.	1544055
Measuring principle	Magnetic
Max. Rotational Speed	6000 rpm
Starting torque	< 0.06 Nm
Measuring range	0...360°
Ambient temperature	-40...+85 °C
Operating voltage	15...30 VDC
No-load current	≤ 35 mA
Short-circuit protection	yes
Output function	4-wire, Analog output, 0...10V
Output type	absolute singleturn
Resolution single-turn	12 Bit
Design	Hollow shaft
Flange type	Flange with stator coupling
Flange diameter	Ø 36 mm
Shaft Type	Hollow shaft
Shaft diameter D (mm)	6
Shaft material	Stainless steel
Housing material	Die-cast zinc
Electrical connection	Cable
	radial
cable length	1 m
Axial shaft load	20 N
Radial shaft load	40 N
Vibration resistance (EN 60068-2-6)	10 ... 2000 Hz, 300 m/s ² - rms

Technical data

Shock resistance (EN 60068-2-27)	5000 m/s ² , 6 ms
Protection class housing	IP69k
Protection class shaft	IP69k

Signal	Gnd	+U_s	Analog out	Analog Gnd	-	-	-	-	-
Core color	WH	BN	GN	YE	-	-	-	-	-